

Project: _____

Item: _____

Quantity: _____

Date: _____

Model Burners

- S-DI-MC 1
- D-DI-MC 2

D-DI-MC (Left), S-DI-MC (Right)



- Easy-to-clean design
- Ceran glass design eliminates unsightly scratches
- Energy efficient alternative to conventional heating methods

- Additional "Boost Mode" for maximum power output
- Advanced internal safety features and pan detection for optimal operation

Standard Features

- ✓ Models available in single or double 3000W units
- ✓ Low profile drop in style design
- ✓ Stainless steel design
- ✓ Flush easy-to-clean high temp commercial grade ceramic glass
- ✓ Clear LED display
- ✓ 10 total power settings 1-9 standard power levels
- ✓ Automatic pan detection for optimal operation
- ✓ Detects when ceran top is HOT and notifies operator through the LED display
- ✓ Advanced internal programing and automatic shut-off to monitor electrical components to prevent overheating
- ✓ Secure easy-to-install 6' connector cable for connecting controller to the unit
- ✓ Available in 208-240 VAC single phase

- ** Induction cooking equipment requires the use of induction compatible cookware.
- ** Adequate ventilation and prevention of recirculation of exhaust air is required for all drop-in units to prevent overheating the unit.
- ** Units require a dedicated outlet/circuit.

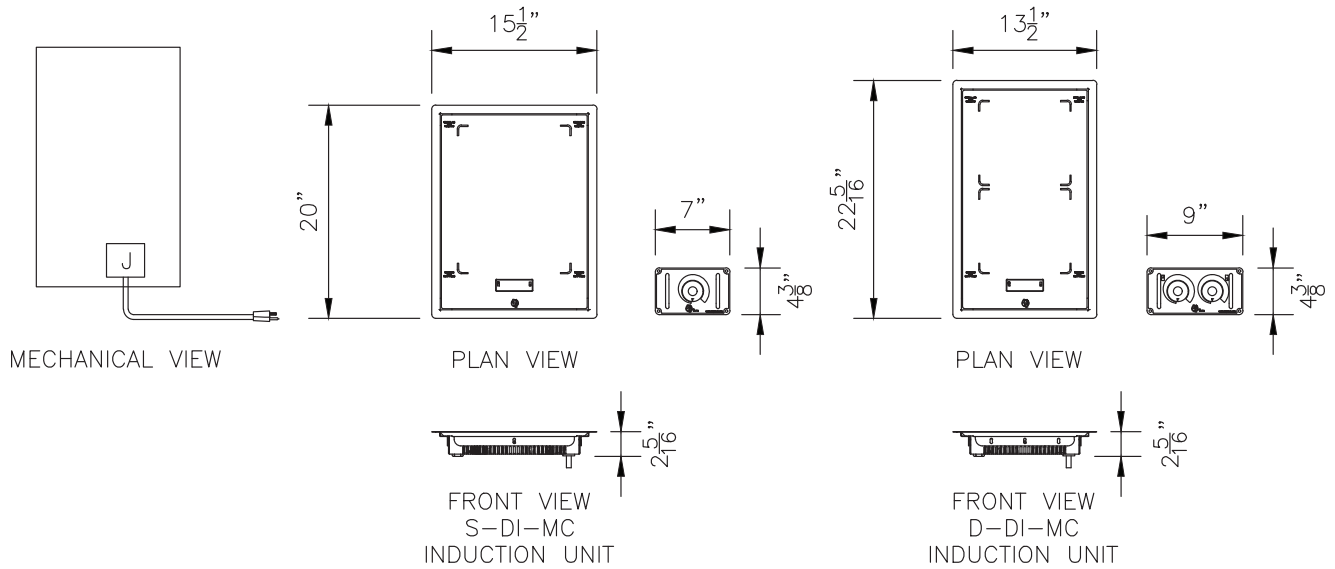
REV 1/31/19 – Printed in the U.S.A.



LTI, Inc.
1947 Bill Casey Parkway
Jonesboro, GA 30236

P +1 (888) 584-2722
F +1 (770) 471-3715
W lowtempind.com

Approvals: _____



S-DI-MC UNIT DIMENSIONS		D-DI-MC UNIT DIMENSIONS	
UNITS OVERALL HEIGHT	2 5/16"	UNITS OVERALL HEIGHT	2 5/16"
UNITS OVERALL WIDTH	15 1/2"	UNITS OVERALL WIDTH	13 1/2"
UNITS OVERALL DEPTH	20"	UNITS OVERALL DEPTH	20"
INDUCTION COIL SIZE	10 1/4" (260mm)	INDUCTION COIL SIZE	7" (180mm) x 2
CUT-OUT WIDTH	14 1/4"	CUT-OUT WIDTH	12 1/4"
CUT-OUT DEPTH	18 3/4"	CUT-OUT DEPTH	21 1/8"
S-DI-MC CONTROL PANEL DIMENSIONS		D-DI-MC CONTROL PANEL DIMENSIONS	
UNITS OVERALL HEIGHT	4 3/8"	UNITS OVERALL HEIGHT	4 3/8"
UNITS OVERALL WIDTH	7"	UNITS OVERALL WIDTH	9"
UNITS OVERALL DEPTH	2"	UNITS OVERALL DEPTH	2"
CUT-OUT WIDTH	5 3/4"	CUT-OUT WIDTH	7 3/4"
CUT-OUT DEPTH	4"	CUT-OUT DEPTH	4"
CLEARANCE	FRONT	MINIMUM 2"	
	BACK	MINIMUM 2"	
	SIDE	MINIMUM 2"	
	BOTTOM	*MIN. 4 1/2", INTAKE COOLING FAN MUST BE SHROUDED	
ELECTRICAL REQUIREMENTS	S-DI-MC	208-240V, 50/60Hz, 16A, 3000W	NEMA 6-20P
	D-DI-MC	208-240V, 50/60Hz, 16A, 3000W	NEMA 6-20P

Cooling Requirements

Avoid ambient temperatures that exceed 130°F. Intake cooling fan air temperature must not exceed 185°F. For minimum clearances intake air must be shrouded to intake cooling fan and exhaust ventilation of a minimum 20in² is required.

Approval/Submittal (signature required)

Model # _____

Adherence to LTI installation instructions is required.

Failure to do so may void the warranty.

Signature _____

Date _____

We reserve the right to change specifications and product design without notice. Such revisions do not entitle the buyer to corresponding changes, improvements, additions or replacement for previously purchased equipment.

All equipment to be built in accordance with the Underwriters Laboratories, Inc. and the National Sanitation Foundation, Inc. standards and shall bear the Underwriters Laboratories, Inc. listing label for safety and the Underwriters Laboratories classification label for sanitation.

