



Project: _____

Item: _____

Quantity: _____

Date: _____

Models

- CP-CSE-MF-28 - end station
- CP-CSE-MF-36 - end station
- CP-CSE-MF-50 - end station
- CP-CSS-MF-28 - side station
- CP-CSS-MF-36 - side station
- CP-CSS-MF-50 - side station

Standard Features

- ✓ 30" wide 14 gauge stainless steel top
- ✓ Tubular footrest
- ✓ 5" Locking Swivel Casters
- ✓ Cam Operated Line-Up Locks
- ✓ Convenience Outlet, Flush
- ✓ Empty Data Box
- ✓ 3" Knock Out w/ Grommet

CP-CSE-MF-36



- Versatile counters, add the options you need!
- Durable, colorful, molded fiberglass
- Easy to clean, low maintenance

Specifications

Top - Top to be 30" wide and fabricated from a minimum of 14 ga. stainless steel with square turndown on all sides and corners fully welded, ground and polished. Top to have #4 satin finish.

Body (MF) - Body to be seamless molded fiberglass (F.R.P.) with smooth exterior surfaces and rounded corners. To be constructed by a hand lay-up process with four layers of 1.5 oz continuous strand fiberglass mat, plus a 24 oz layer of woven roving on the bottom for added strength. Fiberglass to be

flame retardant per specification ASTM E-162 having a flame spread of 25% or less. Body interior to be reinforced at each end with 4 wide, 12 gauge galvanized uprights welded to support shelving to form integral U frame for maximum stress relief.

Options

Top Options

- Height Other Than Standard 36" (Specify _____)
- (MR)#7 Hi-Lite Edge
- (TWE) Top Width Extension (Specify _____)

Tray Slide/Cutting Board Options

- (A) 10" Beaded, Stainless Steel Tray Slide
- (B) 10" Flat Surface, Stainless Steel Tray Slide
- (C) 10" Tubular Tray Slide
- (CTS) 10" Corian Tray Slide Solid
- (CTR) 10" Corian Tray Slide Routed Runners
- (D) 6" Wide Stainless Steel Cutting Board
- (E) 6" Wide Richlite® Composite Cutting Board
- (E1) 6" Sanalite® Cutting Board
- (FF) End Drop Shelf 12" x 30"
- (FTS) Fixed Tray Slide

Plumbing & Electrical Options

- (DD) Convenience Outlet, Flush
- (DC) Daisy Chain Outlet

Base Options

- (NN) Fiberglass Door Panels
- (MM) Vertical Trim Strips
- (SS) Stainless Steel Legs
- (SO) Slide-Out Shelf
- (TK) S/S Toe Kick
- (FS) Fixed Shelf

Cash Drawer Options

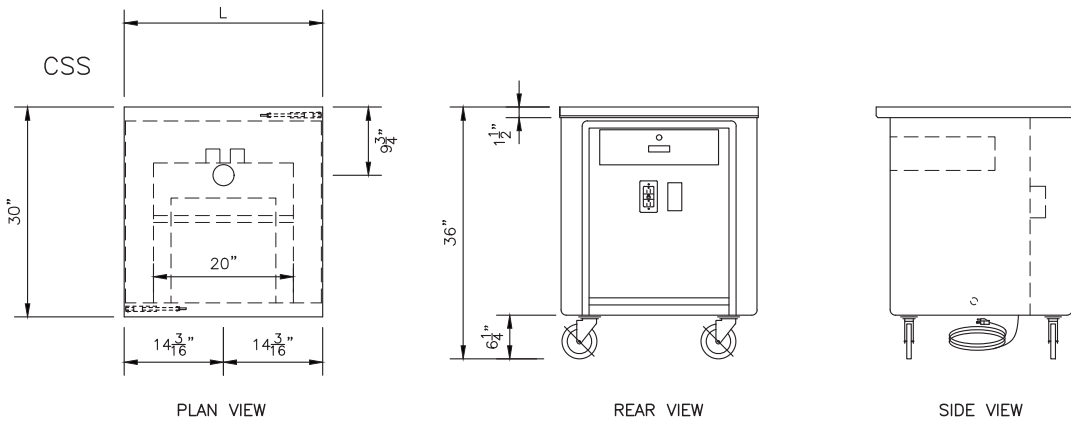
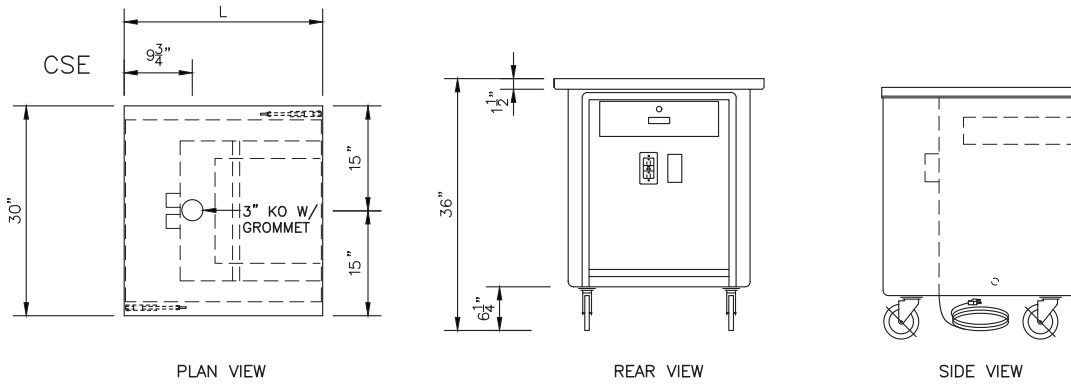
- (HH) Locking Cash Drawer
- Other (Specify _____)

Cashier Station

Molded Fiberglass (MF)



Cashier Station
Molded Fiberglass (MF)



CSE Models	L	S*	APPROX. SHIP WEIGHT
CP-CSE-MF-28	28 3/8"	N/A	205 lbs.
CP-CSE-MF-36	36 3/8"	N/A	260 lbs.
CP-CSE-MF-50	50 3/8"	15"	320 lbs.

CSS Models	L	S (optional)	APPROX. SHIP WEIGHT
CP-CSS-MF-28	28 3/8"	N/A	205 lbs.
CP-CSS-MF-36	36 3/8"	N/A	260 lbs.
CP-CSS-MF-50	50 3/8"	15"	320 lbs.

Décor Options (Contact Factory)

- Vinyl Graphic
- Stand Off Panel
(Specify Materials _____)

We reserve the right to change specifications and product design without notice. Such revisions do not entitle the buyer to corresponding changes, improvements, additions or replacement for previously purchased equipment.

All equipment to be built in accordance with the Underwriters Laboratories, Inc. and the National Sanitation Foundation, Inc. standards and shall bear the Underwriters Laboratories, Inc. listing label for safety and the Underwriters Laboratories classification label for sanitation.

SIS No. 00-0-00

A.I.A. File No. 00-0-00

REV 9/4/24

LTI, Inc.
1947 Bill Casey Parkway
Jonesboro, GA 30236

(888) 584-2722
lowtempind.com



Changing
how food is served.™