

SimplicitySeries utilizes in stock and ready-to-release components that have shorter lead times.



SIM-ST-60-LP shown with option: (A) Beaded, stainless steel tray slide.



U.L. Sanitation Classified to NSF Standards

- Most versatile counters, add the options you need!
- Easy to clean, low maintenance

Project: \_\_\_\_\_

Item: \_\_\_\_\_

Quantity: \_\_\_\_\_

Date: \_\_\_\_\_

### Models Length

<input type="checkbox"/> SIM-ST-28	28 3/8"
<input type="checkbox"/> SIM-ST-36	36 3/8"
<input type="checkbox"/> SIM-ST-50	50 3/8"
<input type="checkbox"/> SIM-ST-60	60 3/8"
<input type="checkbox"/> SIM-ST-74	74 3/8"

### Standard Features

- ✓ 30" wide 14 gauge stainless steel top
- ✓ Storage Base Standard
- ✓ 5" Plate Mounted Swivel Casters
- ✓ Cam Operated Line-up Locks
- ✓ Open Storage Base
- ✓ 36" A.F.F.
- ✓ Shipped fully assembled

## Specifications

**Top** - Top to be 30" wide and fabricated from a minimum of 14 ga. stainless steel with square turndown on all sides and corners fully welded, ground and polished. Top to have #4 satin finish.

**Body (MF)** - Body to be seamless molded fiberglass (F.R.P.) with smooth exterior surfaces and rounded corners. To be constructed by a hand laid process with four layers of 1.5 oz continuous strand fiberglass mat, plus a 24 oz layer of

woven roving on the bottom for added strength. Fiberglass to be flame retardant per specification ASTM E-162 having a flame spread of 25% or less. Body interior to be reinforced at each end with 4" wide, 12 gauge galvanized channels welded to form integral U frame for maximum stress relief.

**Body (LP)** - Standard grade laminate to cover all sides of an 18 gauge steel uni-body structure. Interior reinforced with 12 gauge galvanized

uprights to support shelving and a 20 gauge steel bottom. Corners and bottom edge provided with 1/2 stainless steel trim strips.

**Body (SS)** - Uni-body structure, fabricated from 18 gauge stainless steel, welded ground and polished. Interior reinforced with 12 gauge galvanized uprights to support shelving and a 20 gauge steel bottom.

## Options

### Above the Top

- (CCCP) CrystalClear Counter Protector
- (CCSB) CrystalClear Self-Service Single Buffet Shield
- (CCDB) CrystalClear Self-Service Double Buffet Shield
- (CCCPAD.J) CrystalClear Counter Protector Adjustable from Self-Service to Full-Service
- (GA) Sloped Front Protector, Stainless Steel Top, Adjustable
- (GC) Sloped Front Protector, Stainless Steel Top, Fixed Glass
- (M) Buffet Shield Single Service Hinged
- (N) Buffet Shield Double Service Hinged
- (RR) LED Lights
- GRA - Heatlamp
- GRAL - Heatlamp with light

### Tray Slides and Work Shelves\*\*

- (A) 10" Beaded, stainless steel tray slide
    - Single side
    - Dual side
  - (B) 10" Flat Surface, stainless steel tray slide
    - Single side
    - Dual side
  - (D) 6" deep Stainless Steel Work Shelf
    - Single side
    - Dual side
  - (FF) 12" End Mounted Drop Down Shelf
- \*\*Mounted flush with top or 2" below top

### Exterior Finishes

- Molded Fiberglass (MF)
- Stainless Steel (SS)
- Laminate over Galvanized (LP)(Standard laminate finishes - consult factory for questions)

### Mount Option

- 6" stainless steel legs with stainless steel adjustable bullet foot

### Base Option

- Elementary Height 32" A.F.F. (selecting this option converts to 12" high storage bases in lieu of standard)
- Enclosed base, no storage

REV 4/18/24

Approvals: \_\_\_\_\_

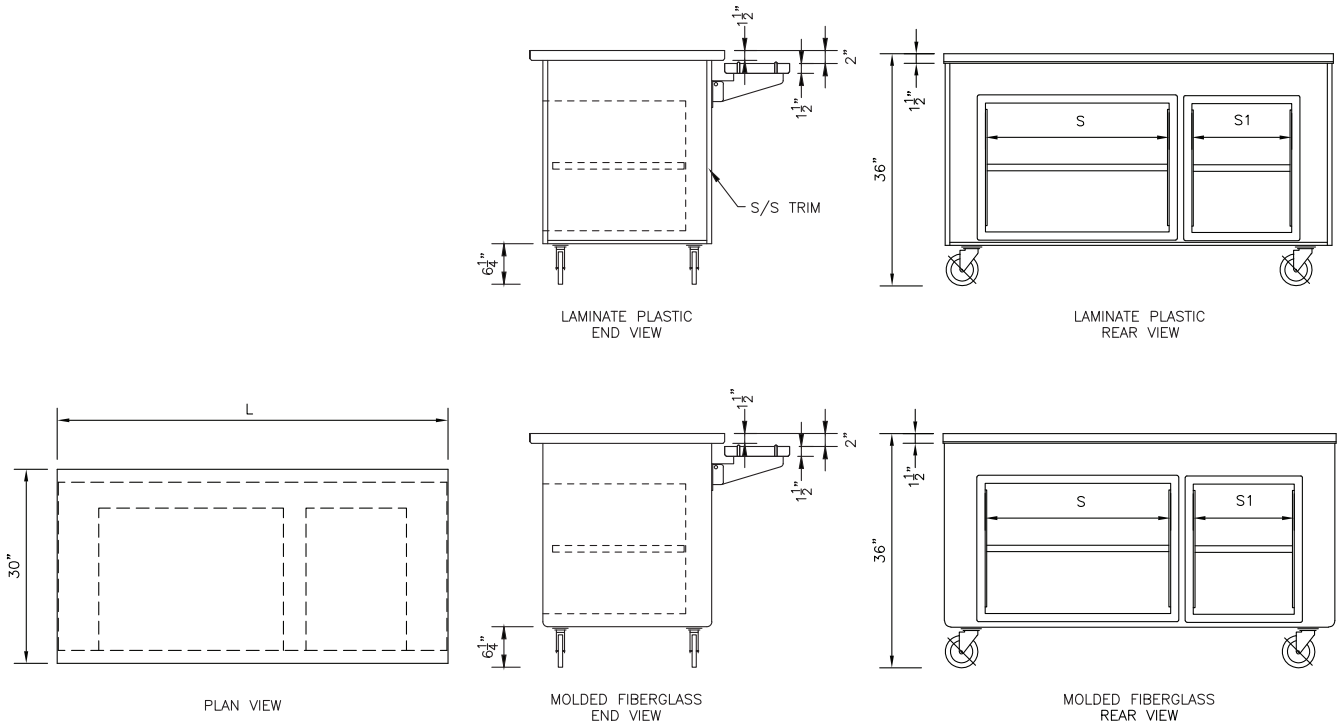
# Solid Top Serving Counter

Molded Fiberglass (MF) or Laminate Panel (LP) or Stainless Steel (SS)



Solid Top Serving Counter

Molded Fiberglass (MF) or Laminate Panel (LP) or Stainless Steel (SS)



Model	L (Length)	Storage		Approx. Ship Weight
		S	S1	
SIM-ST-28	28 3/8"	15"	NA	205 lbs.
SIM-ST-36	36 3/8"	15"	NA	220 lbs.
SIM-ST-50	50 3/8"	15"	NA	260 lbs.
SIM-ST-60	60 3/8"	28"	15"	300 lbs.
SIM-ST-74	74 3/8"	28"	28"	340 lbs.

We reserve the right to change specifications and product design without notice. Such revisions do not entitle the buyer to corresponding changes, improvements, additions or replacement for previously purchased equipment.

All equipment to be built in accordance with the Underwriters Laboratories, Inc. and the National Sanitation Foundation, Inc. standards and shall bear the Underwriters Laboratories, Inc. listing label for safety and the Underwriters Laboratories classification label for sanitation.

SIS No. 00-0-00

A.I.A. File No. 00-0-00

REV 4/18/24

LTI, Inc.  
1947 Bill Casey Parkway  
Jonesboro, GA 30236

(888) 584-2722  
lowtempind.com



Changing  
how food is served.™