



SIM-QSG-50-SS shown with options: (B) Flat tray slide, (D) Stainless steel work shelf, (CCSB) Crystal Clear buffet shield.

SimplicitySeries utilizes in stock and ready-to-release components that have shorter lead times.

Project: _____

Item: _____

Quantity: _____

Date: _____

Models	Length
<input type="checkbox"/> SIM-QSG-36	36 3/8"
<input type="checkbox"/> SIM-QSG-50	50 3/8"

Standard Features

- ✓ 30" wide 14 gauge stainless steel top
- ✓ Enclosed Base
- ✓ 5" Locking Swivel Casters
- ✓ Cam Operated Line-up Locks
- ✓ 36" A.F.F.
- ✓ Shipped fully assembled
- ✓ NEMA 5-15 Plug



U.L. Sanitation Classified to NSF Standards

- Heated shelf to frost top with the flip of a switch
- Sanitary and easy-to-clean glass maximizes product merchandising
- New heat blanket technology ensures even heat across entire surface

Specifications

Top - Top to be 30" wide and fabricated from a minimum of 14 ga. stainless steel with square turndown on all sides and corners fully welded, ground and polished. Top to have #4 satin finish

Equipment - Unit to have a food safe ceramic glass shelf. Glass to be 1/4" thick and be UL recognized. 900 (or 400 for 36" model) watt silicone heat blanket to be attached to the underside of the glass with high temperature adhesive to a solid refrigerated plate. Refrigerant plate and heating element to be incased in a heavy duty stainless steel framework and encased with high density polyurethane foam. Unit to include solid state digital controllers for hot operation and

two lighted on/off rocker switch for cold operation. Controller to be mounted on the operator's side on counter apron. Counter to have a properly sized self-contained refrigeration system complete with controls and operate on R-449A (HFC) Refrigerant.

Body (MF) - Body to be seamless molded fiberglass (F.R.P.) with smooth exterior surfaces and rounded corners. To be constructed by a hand laid process with four layers of 1.5 oz continuous strand fiberglass mat, plus a 24 oz layer of woven roving on the bottom for added strength. Fiberglass to be flame retardant per specification ASTM E-162 having a flame spread of 25% or less. Body interior

to be reinforced at each end with 4" wide, 12 gauge galvanized channels welded to form integral U frame for maximum stress relief.

Body (LP) - Standard grade laminate to cover all sides of an 18 gauge steel uni-body structure. Interior reinforced with 12 gauge galvanized uprights to support shelving and a 20 gauge steel bottom. Corners and bottom edge provided with 1/2" stainless steel trim strips.

Body (SS) - Uni-body structure, fabricated from 18 gauge stainless steel, welded ground and polished. Interior reinforced with 12 gauge galvanized uprights to support shelving and a 20 gauge steel bottom.

Options

Above the Top

- (CCCP) CrystalClear Counter Protector
- (CCSB) CrystalClear Self-Service Single Buffet Shield
- (CCDB) CrystalClear Self-Service Double Buffet Shield
- (CCCPADJ) CrystalClear Counter Protector Adjustable from Self-Service to Full-Service
- (GA) Sloped Front Protector, Stainless Steel Top, Adjustable
- (GC) Sloped Front Protector, Stainless Steel Top, Fixed Glass
- (M) Buffet Shield Single Service Hinged
- (N) Buffet Shield Double Service Hinged

- (RR) LED Lights

Tray Slides and Work Shelves**

- (A) 10" Beaded, stainless steel tray slide
 - Single side
 - Dual side
 - (B) 10" Flat Surface, stainless steel tray slide
 - Single side
 - Dual side
 - (D) 6" deep Stainless Steel Work Shelf
 - Single side
 - Dual side
 - (FF) 12" End Mounted Drop Down Shelf
- **Mounted flush with top or 2" below top

Exterior Finishes

- Molded Fiberglass (MF)
- Stainless Steel (SS)
- Laminate over Galvanized (LP) (Standard laminate finishes - consult factory for questions)

Mount Option

- 6" stainless steel legs with stainless steel adjustable bullet foot

Base Option

- Elementary Height 32" A.F.F.

REV 8/9/23



LTI, Inc.
1947 Bill Casey Parkway (888) 584-2722
Jonesboro, GA 30236 lowtempind.com

Approvals:

Glass Hot or Frost Top Serving Counter Powered by QuickSwitch™
Molded Fiberglass (MF) or Laminate Panel (LP) or Stainless Steel (SS)

A.I.A. File No. 00-0-00

SIS No. 00-0-00

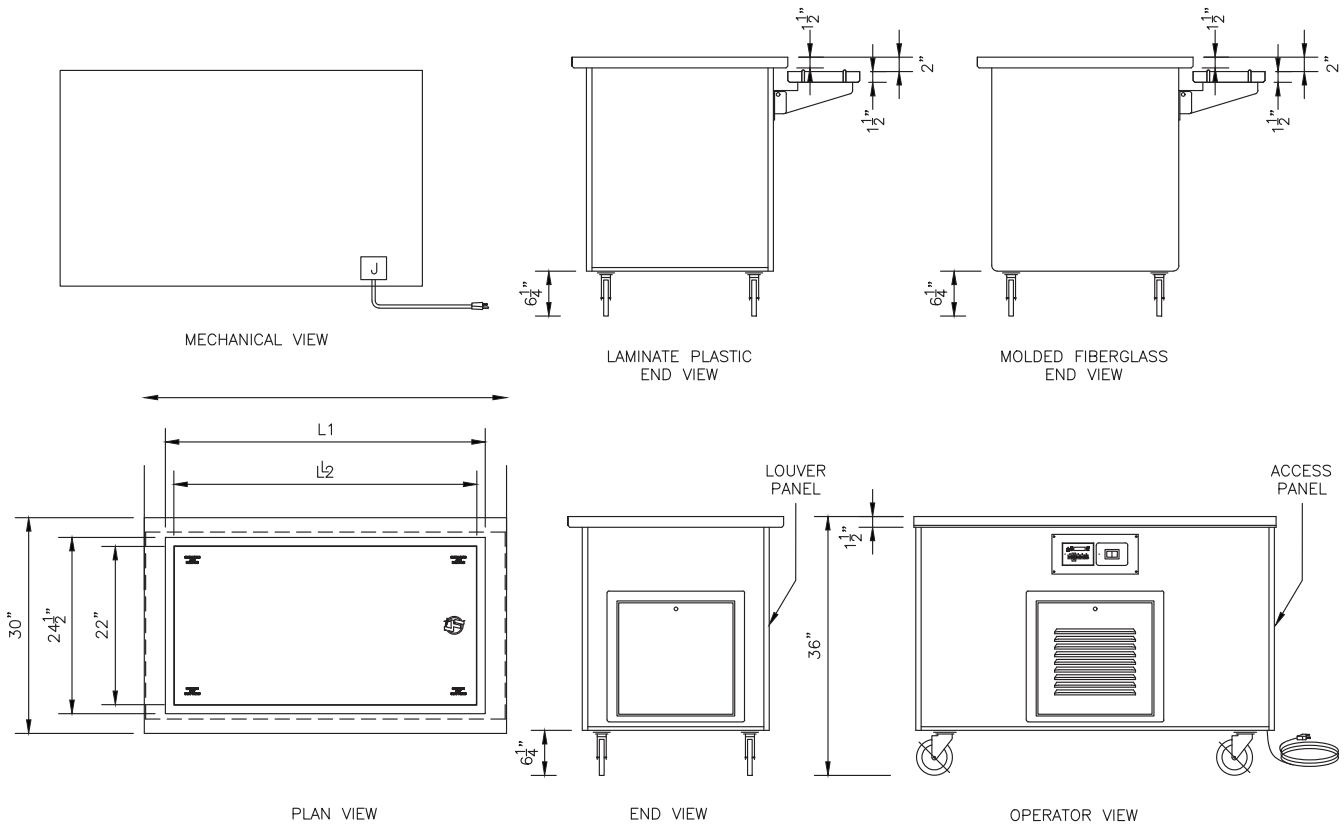
Glass Hot or Frost Top Serving Counter

Powered by QuickSwitch™

Molded Fiberglass (MF) or Laminate Panel (LP) or Stainless Steel (SS)

SimplicitySeries

Glass Hot or Frost Top Serving Counter Powered by QuickSwitch™
Molded Fiberglass (MF) or Laminate Panel (LP) or Stainless Steel (SS)



16" wide louver on end and side.

Model	Pan Capacity	Unit Length (L)	Storage Length (S)	Comp.	120V, 1 phase		Approximate Ship Weight
					AMPS	NEMA	
SIM-QSG-36	2	36 3/8"	N/A	1/3	7.5	5-15P	400 lbs.
SIM-QSG-50	3	50 3/8"	N/A	1/3	7.5	5-15P	450 lbs.

Adding additional electrical components will change the total electric load.

We reserve the right to change specifications and product design without notice. Such revisions do not entitle the buyer to corresponding changes, improvements, additions or replacement for previously purchased equipment.

All equipment to be built in accordance with the Underwriters Laboratories, Inc. and the National Sanitation Foundation, Inc. standards and shall bear the Underwriters Laboratories, Inc. listing label for safety and the Underwriters Laboratories classification label for sanitation.

SIS No. 00-0-00

A.I.A. File No. 00-0-00

REV 8/9/23

LTI, Inc.
1947 Bill Casey Parkway
Jonesboro, GA 30236

(888) 584-2722
lowtempind.com



Changing
how food is served.™