



Project: _____

Item: _____

Quantity: _____

Date: _____

Models	Length	Width
<input type="checkbox"/> ELC-50-CF Refrigerated	50"	31"
<input type="checkbox"/> ELC-63-CF Refrigerated	63"	31"
<input type="checkbox"/> ELCW-50-CF Refrigerated	50"	36-5/8"
<input type="checkbox"/> ELCW-63-CF Refrigerated	63"	36-5/8"

Standard Features

- ✓ 14 gauge stainless steel top
- ✓ 3" locking swivel casters
- ✓ 34" overall height
- ✓ Cam operated line up lock
- ✓ Plugs into standard 5-15R
- ✓ 8 ft. cord and 5-15P plug
- ✓ Stainless steel sliding lids

Refrigerated model EL-C-50 shown with optional push handle and optional see through lids.



U.L. Sanitation Classified to NSF Standards

- Easy to clean
- Portable, easy to move
- Can be used in a line-up
- Accommodates nesting baskets for convenient service
- Plugs into standard outlet
- Will hold cold food at 40 degrees F

Specifications

Top - 14 gauge stainless steel with square turndown on all sides with corners welded & polished to a #4 satin finish, all edges to have #7 hi-lite finish.

Cold Interior - Unit to have welded stainless steel watertight interior liner with 2" urethane foam insulation and full perimeter interior breaker strip at top. Optional 1" open drain to extend to drain valve below body. Cold wall Copper coils attached to exterior and interior partitions. R-513 hermetically sealed, air cooled condensing unit with digital temperature control and display.

Body (S) - Uni-body structure, fabricated from 18 gauge stainless steel, welded ground and polished. Interior reinforced with 12 gauge galvanized uprights and a 11 gauge steel bottom.

Body (L) - Uni-body structure, fabricated from 18 gauge steel, welded ground and polished. Interior reinforced with 12 gauge galvanized steel uprights and a 11 gauge steel bottom. Furnished with 1/2 inch stainless steel trim on corners and bottom. Standard grade laminate applied on all sides.

Sliding Top Doors - Removable lids - 18 ga. S/S double pan insulated doors with integrated handles.

Casters - 3" non-marking ball bearing swivel type all with brakes.

Options

Tray Slide/Work Shelf

- (A) Beaded, stainless steel tray slide
- (B) Flat surface, stainless steel
- (C) Tubular stainless steel
- (D) 8" wide stainless steel work shelf

Other Options

- Stainless steel mounted basket
- Stainless steel overshelf
- Stainless steel cord wrap
- 5" casters (36" overall height)
- See-through sliding lids
- Removable stainless steel push handle
- 2-1/4" deep Arlington style baskets
- 4-1/2" deep Arlington style baskets
- Drain with drain valve (show in drawings)

REV 3/9/21



LTI, Inc.
1947 Bill Casey Parkway (888) 584-2722
Jonesboro, GA 30236 lowtempind.com

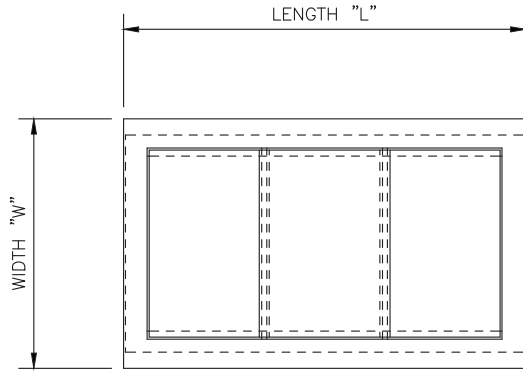
Approvals: _____

Compact Cold Food Dispenser

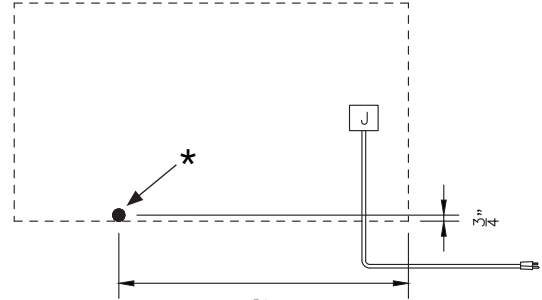
Laminate Panel (L) or Stainless Steel (S)



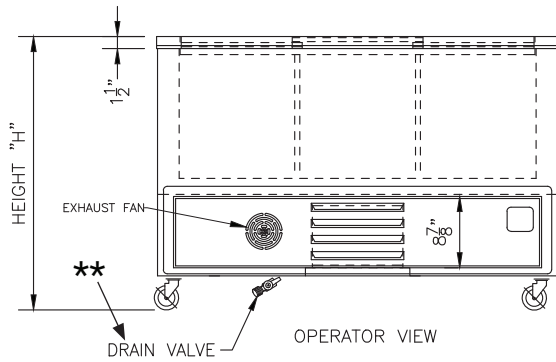
Compact Cold Food Dispenser
Laminate Panel (L) or Stainless Steel (S)



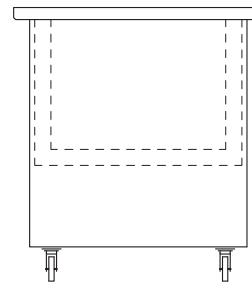
PLAN VIEW



MECHANICAL VIEW



OPERATOR VIEW



END VIEW

* Optional drain ** Optional when ordered with drain

Model	Length	Width	Height	Basket Size	Bays/ Compartments	Basket Capacity 2-1/4"	Basket Capacity 4-1/2"	Electrical Req.
ELC-50-CF Refrigerated	50"	31"	34"	20" X 13"	3	18	9	120V/4.9a
ELC-63-CF Refrigerated	63"	31"	34"	20" X 13"	4	24	12	120V/4.9a
ELCW-50-CF Refrigerated	50"	36-5/8"	34"	26" X 13"	3	18	9	120V/4.9a
ELCW-63-CF Refrigerated	63"	36-5/8"	34"	26" X 13"	4	24	12	120V/4.9a

ELC not available with lowerators

W = Wide models

Décor Options (Contact Factory)

- Vinyl Graphic Wrap
- Body Decal

We reserve the right to change specifications and product design without notice. Such revisions do not entitle the buyer to corresponding changes, improvements, additions or replacement for previously purchased equipment.

All equipment to be built in accordance with the Underwriters Laboratories, Inc. and the National Sanitation Foundation, Inc. standards and shall bear the Underwriters Laboratories, Inc. listing label for safety and the Underwriters Laboratories classification label for sanitation.

A.I.A. File No. 00-0-00

SIS No. 00-0-00

REV 3/9/21

LTI, Inc.
1947 Bill Casey Parkway
Jonesboro, GA 30236

(888) 584-2722
lowtempind.com



Changing
how food is served.™