



BUILT-IN HOT WATER HEATER!

Project: _____

Item: _____

Quantity: _____

Date: _____

Models	Length	Depth
<input type="checkbox"/> SL-SCS2626	26"	26"

Stainless Steel Self Contained Sink Unit
Stainless Steel (S)

SL-SCS2626



U.L. Sanitation Classified to NSF Standards

- 5 gallon clean water tank
- 6 gallon waste water tank
- 15 amp cord and plug
- Built in hot water heater
- Soap dispenser

Specifications

Top - 14ga stainless steel with pinched marine edge on front. Sides and rears of top turned up 7" with corners welded and polished to #4 satin finish. All edges to have #7 hi-lite finish. Top to include 12" x 10" x 4" sink with drain.

Body - 18ga stainless steel uni-body construction with built in supports to accomodate 4" diameter ball bearing swivel type casters with all brakes. Unit provide with double pan stainless steel door on lift off hinges and paddle latch.

Equipment - Unit designed as free standing hand washing station. Station is furnished with pump system, auto cut-off when tank is empty, and on off switch. This is tied inline with a hot water heater with entire system pulling from a 5 gallon clean water tank marked "fresh water". The "waste water" tank is 6 gallons. Entire system hooked together with braided plastic tubing. On the top of the unit is provided a faucet and soap dispenser with under counter reservoir.

Options

- Heatless hands-free hand dryer
- Exterior wrap options
- Hands free faucet
- Hands free soap dispenser
- Paper towel dispenser

A.I.A. File No. 00-0-00

SIS No. 00-0-00

REV 5/21/20 - Printed in the U.S.A.



LTI, Inc.
1947 Bill Casey Parkway (888) 584-2722
Jonesboro, GA 30236 lowtempind.com

Approvals: _____

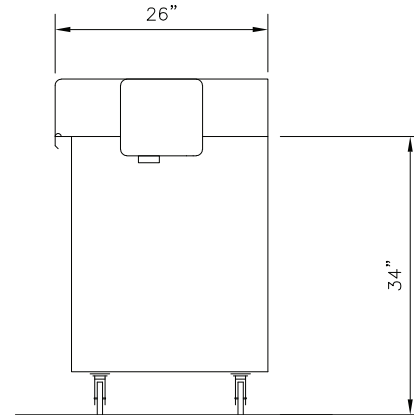
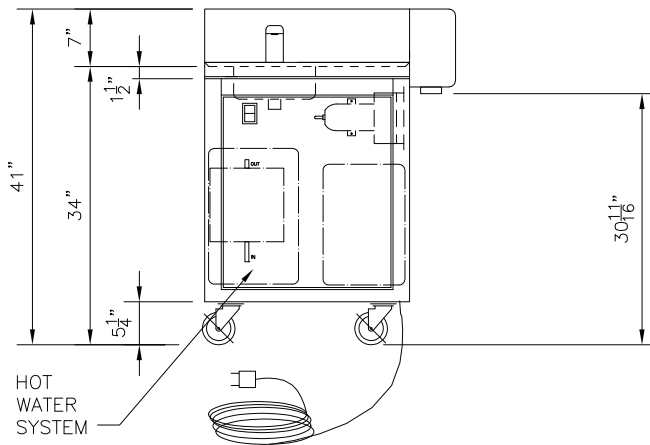
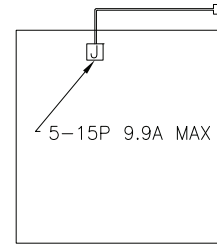
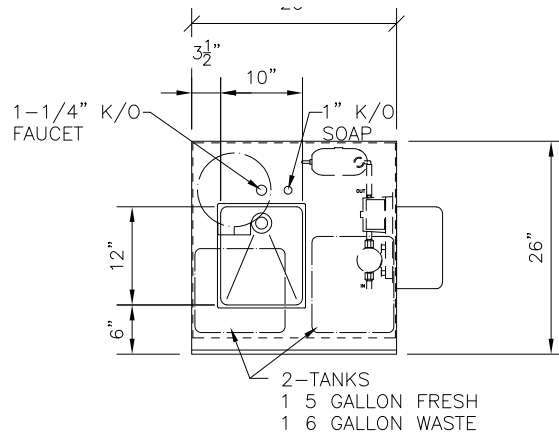
Stainless Steel Self Contained Sink Unit

Stainless Steel (S)

PortableSink

Stainless Steel Self Contained Sink Unit

Stainless Steel (S)



Model	Length	Width	Height ¹	120V / 1 Phase					Shipping Weight
				Pump	Heater	Hand Dryer ²	Total Amps	Plug	
SL-SCS2626	26"	26"	41"	24v/5a-120v1a	120v/480W/4A	120v/4.9A	120V/9.9	5-15P	300 lbs.

Notes:
 1) 34" work surface
 2) No heat.

We reserve the right to change specifications and product design without notice. Such revisions do not entitle the buyer to corresponding changes, improvements, additions or replacement for previously purchased equipment.

All equipment to be built in accordance with the Underwriters Laboratories, Inc. and the National Sanitation Foundation, Inc. standards and shall bear the Underwriters Laboratories, Inc. listing label for safety and the Underwriters Laboratories classification label for sanitation.

A.I.A. File No. 00-0-00

SIS No. 00-0-00

REV 5/21/20 - Printed in the U.S.A.

LTI, Inc.
 1947 Bill Casey Parkway
 Jonesboro, GA 30236

(888) 584-2722
 lowtempind.com



Changing
 how food is served.™