



Project: _____

Item: _____

Quantity: _____

Date: _____

Models	Length	Capacity
<input type="checkbox"/> 28-TR1-L	28"	1
<input type="checkbox"/> 55-TR2-L	55-1/4"	2
<input type="checkbox"/> 82-TR3-L	82-1/2"	3
<input type="checkbox"/> 110-TR4-L	110-1/2"	4

Trash Receptacle
Laminate Panel (L)

Single bin trash receptacle shown with solid surface top and stainless steel toe kick.



- Customizable to any decor
- 40 gallon trash bin capacity
- Level with floor for ease of use

Specifications

Top - 1/2" thick solid surface with 2" drop-edge on all exposed edges. 3/4" thick plywood sub-top as required by manufacturer. Verify manufacturer, color and design of solid surface.

Body - All sides to be 3/4" plywood panels covered with laminate plastic. Three sides to extend up 4" above top.

Pan - Adjustable 14 gauge stainless steel base turned up 2" on three sides with sloped ramp.

Hinged doors - 3/4" plywood panels covered with standard grade laminate plastic with stainless steel lift-off hinges. Furnish with friction catch and stainless steel recessed hand pulls.

Glide - 1/4" adjustable glides with threaded insert.

Toe kicks - 16 ga. stainless steel toe kicks, attached to the door.

Mop guard - 1/2" extruded aluminum.

Trash ring - Mocet stainless steel trash grommet.

Trash can - Rubbermaid 3536 40 gallon container with 3530 dolly.

A.I.A. File No. 00-0-00

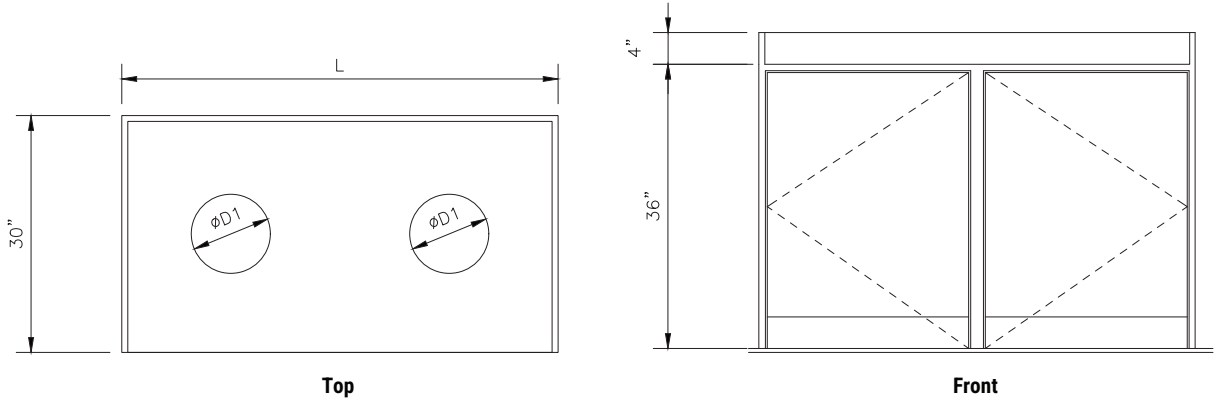
SIS No. 00-0-00

REV 4/29/23

Trash Receptacle

Laminate Panel (L)

Trash Receptacle
Laminate Panel (L)



Model #	Cans	L	D1
28-TR1-L	1	28"	10" OR 12"
55-TR2-L	2	55 1/4"	10" OR 12"
82-TR3-L	3	82 1/2"	10" OR 12"
110-TR4-L	4	110 1/2"	10" OR 12"

We reserve the right to change specifications and product design without notice. Such revisions do not entitle the buyer to corresponding changes, improvements, additions or replacement for previously purchased equipment.

All equipment to be built in accordance with the Underwriters Laboratories, Inc. and the National Sanitation Foundation, Inc. standards and shall bear the Underwriters Laboratories, Inc. listing label for safety and the Underwriters Laboratories classification label for sanitation.

A.I.A. File No. 00-0-00

SIS No. 00-0-00

REV 4/29/23