



Changing
how food is served.

INSTALLATION MANUAL

DROP-IN REFRIGERATED SERIES

Tempest-Aire®

Patent No. 5,388,429

LTDI-20XXTA SERIES

COLD PAN SYSTEM

CUSTOM FABRICATORS OF FOODSERVICE EQUIPMENT

P.O. Box 795 • Jonesboro, GA 30237
Tel: 770-478-8803 • Fax: 770-471-3715
www.lowtempind.com

Drop-In LTDI-20XXTA Refrigerated Series General Installation

These units are intended for indoor use only. A room temperature of no more than 86°F (36°C) is recommended.

The counter cut-out sizes and power requirements are shown on the specifications sheets. A gasket is provided with each unit to be installed around the flange of each unit. The weight of the unit on the gasket forms a seal preventing liquids from seeping into the cut-out opening. *(Silicone is an optional seal not provided.)*

Openings

IMPORTANT NOTE:

Self-contained refrigerated units require a minimum of (330 cubic feet per minute) of fresh airflow across the condenser for proper operation of the compressor.

ATTENTION: *Failure to provide proper airflow can cause premature compressor failure and will VOID any factory warranty.*

Ventilation Openings

A recommended minimum opening of 16" x 16" (256 square inches) is required in front of the condenser. The rear must have an opening to permit the exhaust of heated air. The recommended rear opening is 16" x 16" (256 square inches)

Refer to *Installation Procedures and LTDI-20XXTA illustration/specifications* for recommended louvered front and rear openings.

Optional Service Access

It is recommended that a minimum 16" x 16" (256 square inches) service access be provided for any service needed to repair unit.

ATTENTION: *Warranty on refrigeration systems will be VOID if installation instructions are not followed.*

Plumbing

Drop-in cold pans are furnished with a 3/4" NPT S/S nipple welded to cold pan for condensate drain line hook-up in field.

****Optional drain line and valve are NOT furnished.****

NOTE

On counters that cannot meet any of the installation instructions requirements provided, you can contact LTI's Engineering department at 1-888-584-2722 for recommendations on the installation requirements of the refrigerated drop-ins. Detailed counter drawings may be required to provide recommended installation instructions.

NOTICE

WARRANTY **DOES NOT** COVER COST OF REMOVING DROP-IN UNIT FROM COUNTER IF THERE ARE NO SERVICE ACCESSES PROVIDED TO MAKE REPAIRS.

WARRANTY ALSO **DOES NOT** COVER COST OF REPLACING UNIT BACK INTO COUNTER AFTER REPAIR HAS BEEN MADE.

Installation Procedures

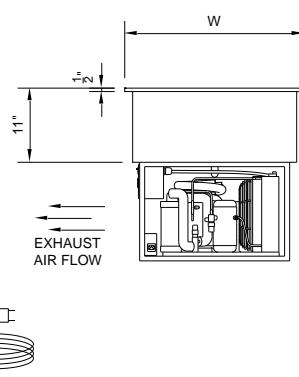
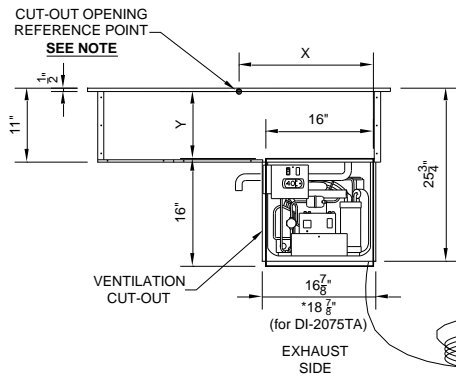
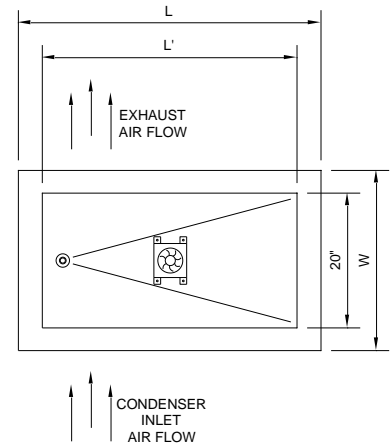
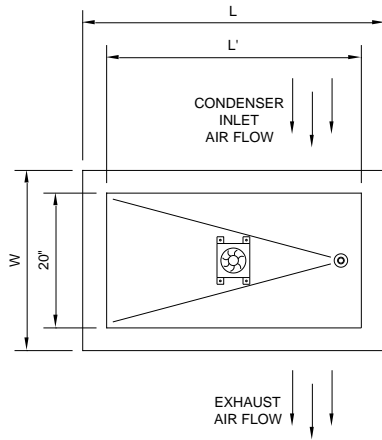
1. Cut the appropriate opening in the countertop for unit being installed. Refer to *Technical Specifications Table* for countertop cutout dimensions.
2. Make structural modifications or add bracing underneath the countertop to ensure the countertop will support the unit being installed.
3. Cut the necessary openings in counter to provide proper ventilation to the condensing unit as well as recommended service access openings for any service needed to repair unit. Louvered or grill-style panels should be installed where ventilation openings are located to protect the condensing unit.
 - a. Self-contained refrigerated units require a minimum of (330 cubic feet per minute) fresh airflow across the condenser. Cut-out openings should be a minimum of 16"X16" (256 square inches).
 - b. One opening should be located in front of the condenser with the other opening on the opposite side.

Refer to the *Illustration and Technical Specifications Table* for ventilation cut-out locations.

NOTE: ALWAYS measure the location of the condenser unit to insure proper location of ventilation openings.

ATTENTION: Failure to provide proper airflow can cause premature compressor failure and will VOID any factory warranty.

LTDI-20XXTA SERIES



NOTE:

CUT-OUT OPENING REFERENCE POINT IS THE CENTER OF THE DROP-IN UNIT THAT MAKES CONTACT WITH THE COUNTER TOP.

THE REFERENCE POINT GIVES THE X (HORIZONTAL) & Y (VERTICAL) DISTANCE TO THE STARTING LOCATION OF THE 16X16 VENTILATION CUT-OUT.

ALWAYS MEASURE THE LOCATION OF THE CONDENSER UNIT TO INSURE PROPER LOCATION OF VENTILATION OPENINGS.

TA COLD FOOD WELL DROP-INS HAVE AN INTERIOR WELL DEPTH OF 9" INCHES TO ACCOMMODATE A MAXIMUM OF 6" INCH DEEP FOOD PAN. A THREE INCH GAP BETWEEN FOOD PAN AND COOLING FANS MUST BE MAINTAINED FOR PROPER OPERATION.

CONDENSING UNIT LOCATION AND POSITION IS SUBJECT TO CHANGE PER CUSTOMER REQUEST. ALWAYS REFER TO APPROVAL DRAWINGS IF POSSIBLE AND CHECK LOCATION OF THE CONDENSING UNIT BEFORE INSTALLING.

LTDI-20XXTA Technical Specifications

Model	PANS	L	L'	W	Counter Top Cut-Out	Ventilation Cut-Out Location		Comp.	FANS	VOLTS/ PHASE	Amps (120V)	NEMA PLUG
						X	Y					
LTDI-2025TA	2	32-1/4"	24-3/4"	26-3/4"	29-7/8" X 25-1/8"	13-1/2"	10"	1/3 H.P.	1	120/1	7.6	5-15P
LTDI-2037TA	3	45"	37-7/8"	26-3/4"	42-7/8" X 25-1/8"	20"	10"	1/3 H.P.	1	120/1	7.6	5-15P
LTDI-2050TA	4	57-3/4"	51"	26-3/4"	55-7/8" X 25-1/8"	26-1/2"	10"	1/3 H.P.	2	120/1	8.5	5-15P
LTDI-2063TA	5	70-1/2"	64"	26-3/4"	68-7/8" X 25-1/8"	33"	10"	1/3 H.P.	2	120/1	8.5	5-15P
*LTDI-2075TA	6	83-3/4"	77"	26-3/4"	81-7/8" X 25-1/8"	39-1/2"	10"	1/2 H.P.	3	120/1	12	5-15P
LTDI-2025TA-SP3	2	32-1/4"	24-3/4"	28-3/8"	29-7/8" X 25-1/8"	13-1/2"	10"	1/3 H.P.	1	120/1	7.6	5-15P
LTDI-2037TA-SP3	3	45"	37-7/8"	28-3/8"	42-7/8" X 25-1/8"	20"	10"	1/3 H.P.	1	120/1	7.6	5-15P
LTDI-2050TA-SP3	4	57-3/4"	51"	28-3/8"	55-7/8" X 25-1/8"	26-1/2"	10"	1/3 H.P.	2	120/1	8.5	5-15P
LTDI-2063TA-SP3	5	70-1/2"	64"	28-3/8"	68-7/8" X 25-1/8"	33"	10"	1/3 H.P.	2	120/1	8.5	5-15P
*LTDI-2075TA-SP3	6	83-3/4"	77"	28-3/8"	81-7/8" X 25-1/8"	39-1/2"	10"	1/2 H.P.	3	120/1	12	5-15P

SP3 Denotes 3" Sloped Top

*Wider compressor housing required