



Project: _____

Item: _____

Quantity: _____

Date: _____

Models

ST-W-90-L/S

Standard Features

- ✓ 14 gauge stainless steel top
- ✓ 5" Locking Swivel Casters

Solid Top 90° Wedge Filler Unit
Laminate Panel (L) or Stainless Steel (S)

ST-W-90-L shown with option: (SS) Stainless Steel Legs



- Upgrade directional flow in serving lines
- Makes a perfect 90° turn in any serving line
- Sanitary, easy to clean design

Specifications

Top - Top to be 30" wide and fabricated from a minimum of 14 ga. stainless steel with square turndown on all sides and corners fully welded, ground and polished. Top to have #4 satin finish and with all edges having a #7 hi-lite finish.

Body (L) - Standard grade laminate to cover all sides of an 18 gauge steel uni-body structure. Interior reinforced with 12 gauge galvanized uprights to support shelving and a 20 gauge steel bottom. Corners and bottom edge provided with 1/2" stainless steel trim strips.

Body (S) - Uni-body structure, fabricated from 18 gauge stainless steel, welded ground and polished. Interior reinforced with 12 gauge galvanized uprights to support shelving and a 20 gauge steel bottom.

Options

Top Options

- Height other than standard 36" (specify _____)
- (FF) End Drop Shelf

Tray Slide/Cutting Board Options

- (A) Beaded, stainless steel tray slide
- (B) Flat Surface, stainless steel tray slide
- (C) Tubular stainless steel tray slide
- (D) 8" wide Stainless Steel cutting board
- (E) 8" wide Richlite® composite cutting board

Base Options

- (MM) Vertical Trim Strips
- (SS) Stainless Steel Legs
- S/S Toe Kick

Electrical Options

- (DD) Convenience outlet, flush

A.I.A. File No. 00-0-00

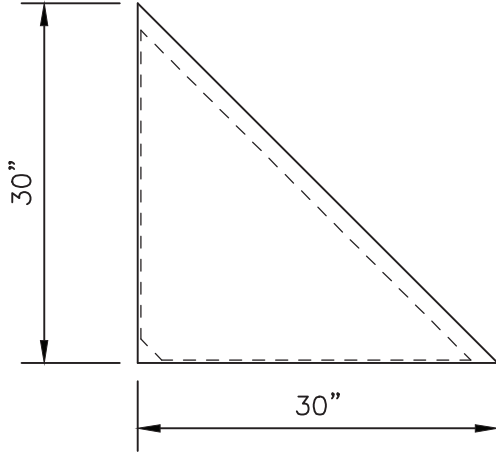
SIS No. 00-0-00

Solid Top 90° Wedge Filler Unit

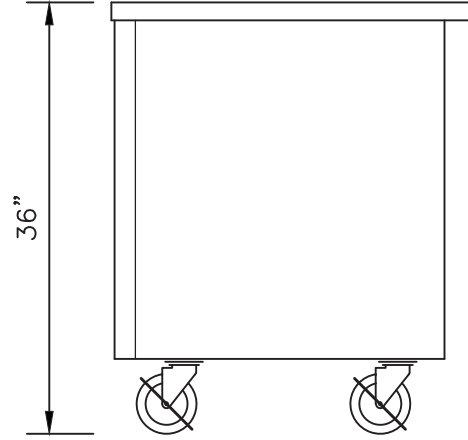
Laminate Panel (L) or Stainless Steel (S)



Solid Top 90° Wedge Filler Unit
Laminate Panel (L) or Stainless Steel (S)



PLAN VIEW



END VIEW

Model	L x W x H	Approx. Ship Weight
ST-W-90	30" x 30" x 36"	225 lbs.

Décor Options (Contact Factory)

- Vinyl Graphic Wrap
- Body Decal
- Over-structure with signage & lights
(specify _____)
- Stand Off Panel
(specify materials _____)

We reserve the right to change specifications and product design without notice. Such revisions do not entitle the buyer to corresponding changes, improvements, additions or replacement for previously purchased equipment.

All equipment to be built in accordance with the Underwriters Laboratories, Inc. and the National Sanitation Foundation, Inc. standards and shall bear the Underwriters Laboratories, Inc. listing label for safety and the Underwriters Laboratories classification label for sanitation.

A.I.A. File No. 00-0-00

SIS No. 00-0-00

REV 10/23/19 - Printed in the U.S.A.

LTI, Inc.
1947 Bill Casey Parkway
Jonesboro, GA 30236

(888) 584-2722
lowtempind.com



Changing
how food is served.™