



60-CFT-F shown with options: (A) beaded stainless steel tray slide, and a two tier frost top overstructure and (RR) LED lights.

Project: _____

Item: _____

Quantity: _____

Date: _____

Models Length

<input type="checkbox"/> 36-CFT-F	36 3/8"
<input type="checkbox"/> 50-CFT-F	50 3/8"
<input type="checkbox"/> 60-CFT-F	60 3/8"
<input type="checkbox"/> 66-CFT-F	66 3/8"
<input type="checkbox"/> 74-CFT-F	74 3/8"
<input type="checkbox"/> 84-CFT-F	84 3/8"
<input type="checkbox"/> 96-CFT-F	96 3/8"
<input type="checkbox"/> 144-CFT-F	144 3/8"

Standard Features

- ✓ 30" wide 14 gauge stainless steel top
- ✓ Molded fiberglass body
- ✓ Open Storage Base
- ✓ 5" Locking Swivel Casters
- ✓ Cam Operated Line-up Locks



U.L. Sanitation Classified to NSF Standards

■ All Frost Top units are sanitation classified under ANSI/NSF-2. For the new NSF-7 requirements, see our CFMA and CFMX series.

■ Removable, washable grate keeps product from freezing to the surface.

Specifications

Top - Top to be 30" wide and fabricated from a minimum of 14 ga. stainless steel with square turndown on all sides and corners fully welded, ground and polished. Top to have #4 satin finish and with all edges having a #7 hi-lite finish.

Frost Top - To be stainless steel watertight pan mounted under a turndown in the 14 gauge stainless steel top providing a 5/8" recess. Recess shall accommodate a removable,

washable bar mat to keep a continuous refrigeration coil bonded to the underside, fully insulated with urethane insulation. To include a full perimeter breaker strip, and a 1" open brass drain extended to a shut-off valve below the body. Temperature shall be maintained by a self-contained, fully hermetic type R-134A condensing unit.

Body (F) - Body to be seamless molded fiberglass (F.R.P.) with smooth exterior surfaces and

rounded corners. To be constructed by a hand lay-up process with four layers of 1.5 oz continuous strand fiberglass mat, plus a 24 oz layer of woven roving on the bottom for added strength. Fiberglass to be flame retardant per specification ASTM E-162 having a flame spread of 25% or less. Body interior to be reinforced at each end with 4" wide, 12 gauge galvanized channels welded to form integral "U" frame for maximum stress relief.

Options

Top Options

- Height other than std. 36" (specify ____)
- (RE) Recess for 18"x26" pans
- (TEW) Top Extensions (width _____)
- (FF) End Drop Shelf

Above the Top

- (F) Overshelf
- (GA) Sloped Front Protector, Adjustable
- (GAG) Sloped Front Protector, Adjustable - Glass Top Shelf
- (GC) Sloped Front Protector, Glass Clips
- (GTS) Glass Top Shelf for Protector or Buffet Shield

- (M) Buffet Shield Single Service Hinged
- (N) Buffet Shield Double Service Hinged
- (I) 2 tier Display Shelf, single service
- (I2) 2 tier Display Shelf, double service
- (FTO) Frost Top Overshelf Display
- (RR) LED Lights

Tray Slide/Cutting Board Options

- (A) Beaded, stainless steel tray slide
- (B) Flat Surface, stainless steel
- (C) Tubular stainless steel
- (D) 8" wide Stainless Steel cutting board
- (E) 8" wide Richlite® composite cutting board

Base Options

- (EB) Enclosed Base - no under storage
- (Y) Hinged Doors
- (CC) Refrigerated Storage Base (36" high units only)
- (NN) Fiberglass Door Panels
- (MM) Vertical Trim Strips
- (SS) Stainless Steel Legs
- S/S Toe Kick

Plumbing & Electrical Options

- (DD) Convenience outlet, flush
- 1/2" Turn Ball Valve
- Alternate Drain Location _____

Refrigerated Frost Top Table

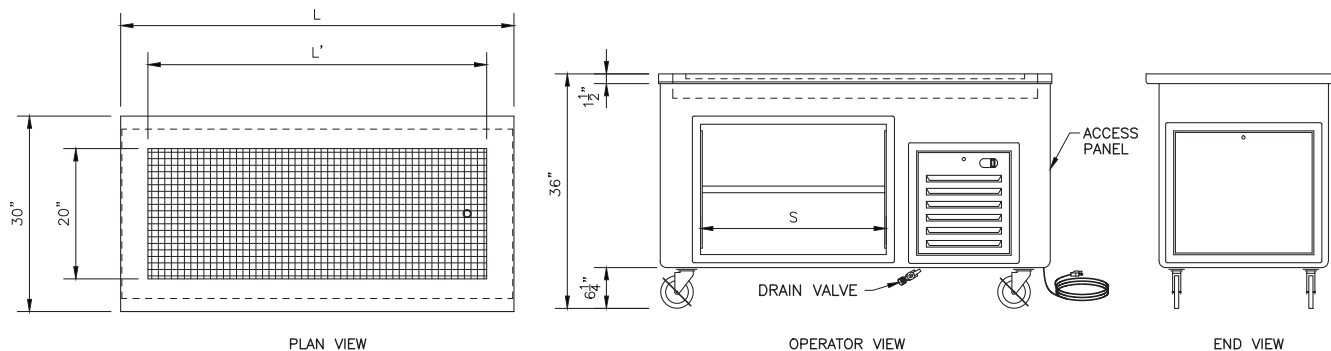
Molded Fiberglass (F)



Refrigerated Frost Top Table
Molded Fiberglass (F)

A.I.A. File No. 00-0-00

SIS No. 00-0-00



Model	Unit Length (L)	Frost Top Length (L')	Storage Length (S)	Comp.	120V, 1 Phase		Approximate Ship Weight
					Amps	Nema	
36-CFT	36 ^{3/8} "	25"	N/A	1/3	7.5	5-15P	400 lbs.
50-CFT	50 ^{3/8} "	38"	15"	1/3	7.5	5-15P	450 lbs.
60-CFT	60 ^{3/8} "	51"	28"	1/3	7.5	5-15P	580 lbs.
66-CFT	66 ^{3/8} "	51"	28"	1/3	7.5	5-15P	600 lbs.
74-CFT	74 ^{3/8} "	64"	36"	1/3	7.5	5-15P	676 lbs.
84-CFT	84 ^{3/8} "	76"	46"	1/3	7.5	5-15P	700 lbs.
96-CFT	96 ^{3/8} "	88"	(2) 28"	1/3	7.5	5-15P	750 lbs.
144-CFT	144 ^{3/8} "	88"	(2) 46"	1/3	7.5	5-15P	900 lbs.

Adding additional electrical components will change the total electric load.

Décor Options (Contact Factory)

- Vinyl Graphic Wrap
- Body Decal
- Canopy (specify style & color)
- Over-structure with signage & lights (specify _____)
- Stand Off Panel (specify materials _____)

We reserve the right to change specifications and product design without notice. Such revisions do not entitle the buyer to corresponding changes, improvements, additions or replacement for previously purchased equipment.

All equipment to be built in accordance with the Underwriters Laboratories, Inc. and the National Sanitation Foundation, Inc. standards and shall bear the Underwriters Laboratories, Inc. listing label for safety and the Underwriters Laboratories classification label for sanitation.

REV 10/23/19 - Printed in the U.S.A.

LTI, Inc.
1947 Bill Casey Parkway
Jonesboro, GA 30236

(888) 584-2722
lowtempind.com



Changing
how food is served.™