



74-CFMX-F shown with options: (CT) Corian® top, (CTS) Corian® tray slide, Corian® cutting board, and (M) buffet shield single service hinged food protector.

Project: _____

Item: _____

Quantity: _____

Date: _____

Models	Length	Capacity
<input type="checkbox"/> 36-CFMX-F	36 3/8"	2 pan
<input type="checkbox"/> 50-CFMX-F	50 3/8"	3 pan
<input type="checkbox"/> 60-CFMX-F	60 3/8"	4 pan
<input type="checkbox"/> 66-CFMX-F	66 3/8"	4 pan
<input type="checkbox"/> 74-CFMX-F	74 3/8"	5 pan
<input type="checkbox"/> 84-CFMX-F	84 3/8"	5 pan
<input type="checkbox"/> 96-CFMX-F	96 3/8"	6 pan
<input type="checkbox"/> 144-CFMX-F	144 3/8"	6 pan

Standard Features

- ✓ 30" wide 14 gauge stainless steel top
- ✓ Open Storage Base
- ✓ 5" Casters
- ✓ Cam Operated Line-up Locks
- ✓ Adapter Bars for Cold Food Pans



U.L. Sanitation Classified to NSF Standards

- Refrigerated cold pans exceed NSF7 with pans recessed 3" below top.
- Versatile static air system

- Pan rails remove easily
- Accommodates 6" deep pans
- Approved for deli and salad bar use

Specifications

Top - Top to be 30" wide and fabricated from a minimum of 14 ga. stainless steel with square turndown on all sides and corners fully welded, ground and polished. Top to have #4 satin finish and with all edges having a #7 hi lite finish.

Refrigerated Cold Pans - Cold pans to be 18 gauge stainless steel fully welded construction with 1/4" covered corners. The cold pan shall be pitched to a 1" drain, which is extended to a valve below the base. All cold pans shall be furnished with urethane insulation on bottom and all four sides of pan. The pan shall be fully separated

from the counter top by a full perimeter breaker strip. Cold pans are to allow for a full steam table pan 6" deep. Temperature is maintained by a static air system utilizing 1/2" copper coils attached to the liner bottom and sides to a level 1" above the food pans. To have a fully hermetic condensing unit operating on R 134A refrigerant. Food pans shall be supported by full length removable brackets located 3" below the top.

Body (F) - Body to be seamless molded fiberglass (F.R.P.) with smooth exterior surfaces and rounded corners. To be constructed by a hand lay up process with four layers of 1.5 oz continuous

strand fiberglass mat, plus a 24 oz layer of woven roving on the bottom for added strength. Fiberglass to be flame retardant per specification ASTM E 162 having a flame spread of 25 or less. Body interior to be reinforced at each end with 4" wide, 12 gauge galvanized channels welded to form integral "U" frame for maximum stress relief. Rear of body to have an open storage base made from 18 gauge stainless steel. Liner to have removable top panels to allow for service access.

Options

Top Options

- Height other than std. 36" (specify ____)
- (RE) Recess for 18" x 26" pans
- (FF) End Drop Shelf

Above the Top

- (F) Overshelf
- (GA) Sloped Front Protector, Adjustable
- (GAG) Sloped Front Protector - Adjustable - Glass Top Shelf
- (GC) Sloped Front Protector, Glass Clips
- (GCG) Sloped Front Protector - Glass Clips - Glass Top Shelf

- (M) Buffet Shield Single Service Hinged
- (N) Buffet Shield Double Service Hinged
- (I) 2 tier Display Shelf, single service
- (I2) 2 tier Display Shelf, double service
- (RR) LED Lights

Tray Slide/Cutting Board Options

- (A) Beaded, stainless steel tray slide
- (B) Flat Surface, stainless steel tray slide
- (C) Tubular, stainless steel tray slide
- (D) 8" wide Stainless Steel cutting board
- (E) 8" wide Richlite® composite cutting board

Base Options

- (EB) Enclosed Base - no under storage
- (Y) Hinged Doors
- (CC) Refrigerated Storage Base (36 high units only)
- (MM) Vertical Trim Strips
- (SS) Stainless Steel Legs
- S/S Toe Kick

Plumbing & Electrical Options

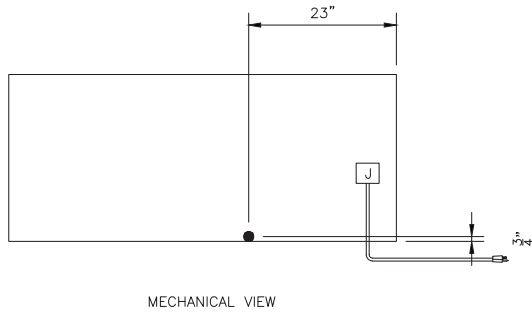
- (DD) Convenience outlet, flush
- Alternate Drain Location _____

Refrigerated Cold Food Table

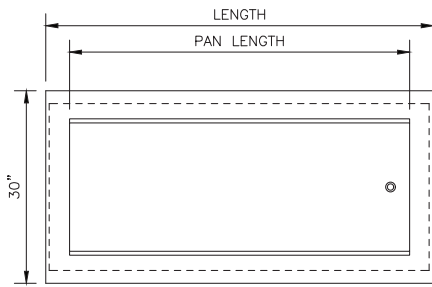
Molded Fiberglass (F)



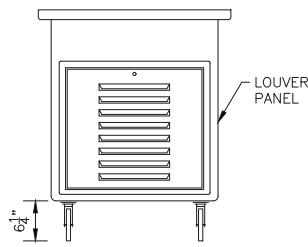
Refrigerated Cold Food Table
Molded Fiberglass (F)



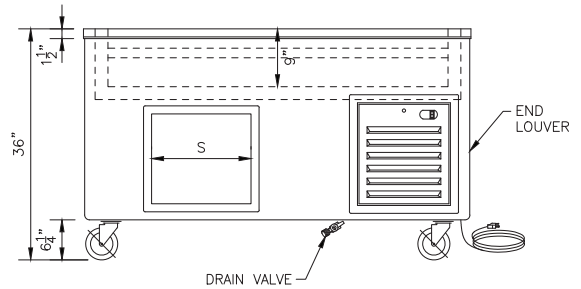
MECHANICAL VIEW



PLAN VIEW



END VIEW



OPERATOR VIEW

A.I.A. File No. 00-0-00

SIS No. 00-0-00

Model	Pan Capacity	Unit Length (L)	Cold Pan Length (L')	Storage Length (S)	Comp.	120V, 1 phase		Approximate Ship Weight
						AMPS	NEMA	
36-CFMX	2	36 3/8"	26 1/4"	N/A	1/3	7.5	5-15P	400 lbs.
50-CFMX	3	50 3/8"	39 5/8"	15"	1/3	7.5	5-15P	450 lbs.
60-CFMX	4	60 3/8"	53"	28"	1/3	7.5	5-15P	580 lbs.
66-CFMX	4	66 3/8"	53"	28"	1/3	7.5	5-15P	600 lbs.
74-CFMX	5	74 3/8"	66 3/8"	36"	1/3	7.5	5-15P	676 lbs.
84-CFMX	5	84 3/8"	66 3/8"	46"	1/3	7.5	5-15P	700 lbs.
96-CFMX	6	96 3/8"	79 3/4"	(2) 28"	1/2	14.0	5-20P	750 lbs.
144-CFMX	6	144 3/8"	79 3/4"	(2) 46"	1/2	14.0	5-20P	900 lbs.

Adding additional electrical components will change the total electric load.

Décor Options (Contact Factory)

- Vinyl Graphic Wrap
- Body Decal
- Canopy (specify style & color)
- Over-structure with signage & lights (specify _____)
- Stand Off Panel (specify materials _____)

We reserve the right to change specifications and product design without notice. Such revisions do not entitle the buyer to corresponding changes, improvements, additions or replacement for previously purchased equipment.

All equipment to be built in accordance with the Underwriters Laboratories, Inc. and the National Sanitation Foundation, Inc. standards and shall bear the Underwriters Laboratories, Inc. listing label for safety and the Underwriters Laboratories classification label for sanitation.

REV 10/25/19 - Printed in the U.S.A.

LTI, Inc.
1947 Bill Casey Parkway
Jonesboro, GA 30236

(888) 584-2722
lowtempind.com



Changing
how food is served.™