



TD-1418 shown with option: (YY) Laminate plastic body panels



- Heavy duty stainless steel construction
- Large capacity
- Sizes to fit virtually all trays
- Mobile, easy to move from dish-room to serving area
- Easy to clean design

Specifications

Top - Top fabricated from a minimum of 14 gauge stainless steel with square turndown on all sides and corners fully welded, ground and polished. Top to have #4 satin finish and all edges having #7 hi-lite finish

Body and Frame - Frame to be 14 gauge stainless steel construction. Full perimeter top and bottom frame fully welded, ground and polished to vertical corner uprights making body frame one integral unit. Non-marking corner bumpers secured to bottom frame. Body panels to be fiberglass reinforced polyester (F.R.P.) with smooth exterior surface. All fiberglass to be flame retardant per specification ASTM E-162 having a flame spread of 25 or less.

Dispensers - The top opening shall contain a stainless steel self-leveling dispenser. Dispensing mechanism shall be constructed with automatic self-leveling elevators, enclosed in a stainless steel housing. The elevator mechanisms shall be field adjustable without the use of tools and be connected to a removable heavy gauge stainless steel carrier.

Options

Optional Features

- Height other than standard 36" (specify _____)
- (MM) Vertical Trim Strips
- (OO) Silverware dispenser
- (PP) Napkin dispenser
- (SS) Stainless Steel Legs
- (TT) Wrap-around bumper
- (YY) Laminate plastic body panels
- (ZZ) Stainless steel body panels
- S/S Toe Kick

Project: _____

Item: _____

Quantity: _____

Date: _____

Models Tray Size

- TD-1014 10" x 14"
- TD-1020 10" x 20"
- TD-1418 14" x 18"
- TD-1620 16" x 20"
- TD-1622 16" x 22"
- TD-2020 20" x 20"

Standard Features

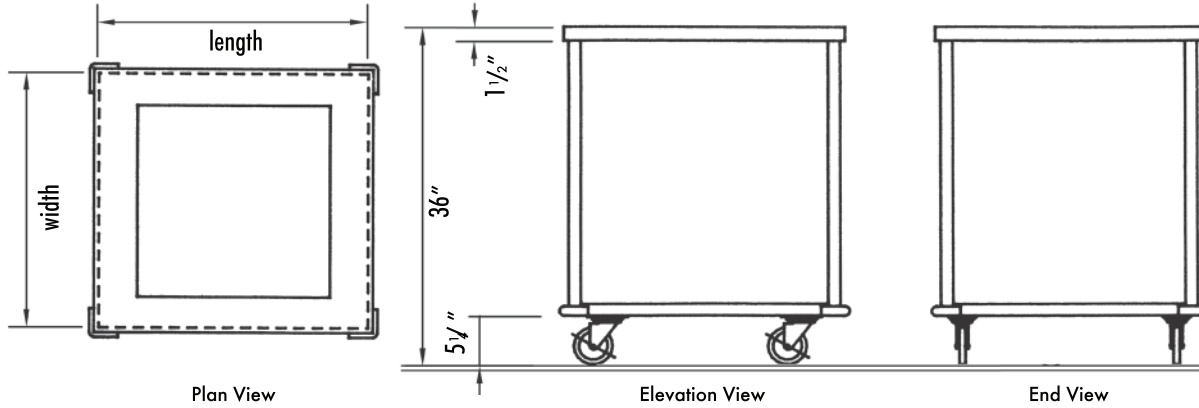
- ✓ 14 gauge stainless steel top
- ✓ Self-leveling dispensers
- ✓ Corner bumpers
- ✓ Stainless steel body with fiberglass panels
- ✓ 5" swivel casters with brakes

Rack Dispenser for Trays, Dishes or Silverware

Molded Fiberglass (F)



Rack Dispenser for Trays, Dishes or Silverware
Molded Fiberglass (F)



Note: Add 2" for corner bumpers

| Model | Length x width x height | Tray Size | Approx. Ship Weight |
|---------|-------------------------|-----------|---------------------|
| TD-1014 | 23" x 18" x 36" | 10" x 14" | 140 lbs. |
| TD-1020 | 29" x 23 1/4" x 36" | 10" x 20" | 105 lbs. |
| TD-1418 | 29" x 23 1/4" x 36" | 14" x 18" | 115 lbs. |
| TD-1620 | 29" x 23 1/4" x 36" | 16" x 20" | 130 lbs. |
| TD-1622 | 31" x 23 1/4" x 36" | 16" x 22" | 130 lbs. |
| TD-2020 | 29" x 27 1/4" x 36" | 20" x 20" | 145 lbs. |

NOTE: When ordering, please specify body panel color and optional extras.

Décor Options (Contact Factory)

- Body Decal
- Canopy (specify style & color)
- Over-structure with signage & lights
(specify _____)
- Stand Off Panel
(specify materials _____)

We reserve the right to change specifications and product design without notice. Such revisions do not entitle the buyer to corresponding changes, improvements, additions or replacement for previously purchased equipment.

All equipment to be built in accordance with the Underwriters Laboratories, Inc. and the National Sanitation Foundation, Inc. standards and shall bear the Underwriters Laboratories, Inc. listing label for safety and the Underwriters Laboratories classification label for sanitation.

A.I.A. File No. 00-0-00

SIS No. 00-0-00

REV 10/25/19 - Printed in the U.S.A.

LTI, Inc.
1947 Bill Casey Parkway
Jonesboro, GA 30236

(888) 584-2722
lowtempind.com



Changing
how food is served.™