

SpecLine™ 2-Tier Ceramic Glass Shelf Table Powered by QuickSwitch™ Molded Fiberglass (F)



Project: _____

Item: _____

Quantity: _____

Date: _____

| Models | Areas |
|--|------------|
| <input type="checkbox"/> 36-QSGT-28-2T-F | 1232 sq/in |
| <input type="checkbox"/> 50-QSTT-42-2T-F | 1848 sq/in |

Standard Features

- ✓ Solid state digital controls
- ✓ On/off lighted rocker switch for cold/frost mode
- ✓ 30" wide 14 gauge stainless steel top
- ✓ 5" Locking Swivel Casters
- ✓ Cam Operated Line-up Locks

50-QSGT-42-2T-F with options: Corian® top, top width extended, (RR) LED lights.



- First of its kind speckled glass masks scratches
- Upper and lower shelves independently controlled
- Heated shelf to frost top with the flip of a switch
- Sanitary and easy-to-clean glass maximizes product merchandising
- New heat blanket technology ensures even heat across entire surface
- Elevated shelf has stainless steel housing for heat/cool components
- Low profile 1 3/4" stainless flange sits flush with the counter
- Gutter in flange allows drainage of condensation
- Bottom shelf allows unwrapped bulk foods as well as portioned products

Specifications

Top - Top to be 30" wide and fabricated from a minimum of 14 gauge stainless steel with square turndown on all sides and corners fully welded, ground and polished. Top to have #4 satin finish and with all edges having a #7 hi-lite finish.

Body (F) - Body to be seamless molded fiberglass (F.R.P.) with smooth exterior surfaces and rounded corners. To be constructed by a hand lay-up process with four layers of 1.5 oz continuous strand fiberglass mat, plus a 24 oz layer of woven roving on the bottom for added strength. Fiberglass to be flame retardant per specification ASTM E-162 having a flame spread of 25% or less.

Body interior to be reinforced at each end with 4" wide, 12 gauge galvanized channels welded to form integral U frame for maximum stress relief.

Equipment - Unit to have two food safe ceramic glass shelves. Glass to be 1/4" thick and be UL recognized. 600 watt silicone heat blanket to be attached to the underside of the glass with high temperature adhesive. Refrigerant tubing and heating element to be incased in a heavy duty stainless steel framework and foamed in place with high density polyurethane foam. Upper shelf framework to be encased in 16 gauge housing with a #4 mill finish. Shelves to have a tempered glass food protector/display case. All

glass to be 3/8" tempered and meet ANSI A97.1 specifications for safety performance and ASTM C1048-04 specifications for heat treated glass. All component hardware to be CNC machined in 6061-T6 aluminum to +/- .002" and be finished in satin clear anodized aluminum. Unit to include two solid state digital controllers for hot operation and two lighted on/off rocker switch for cold operation. Controller to be mounted on the operator's side on counter apron. Counter to have a properly sized self-contained refrigeration system complete with controls and operate on R-507 (HFC) refrigerant.

Options

Top Options

- Operator service top shelf with full glass front
- Height other than std. 36" (specify_____)
- (FF) End Drop Shelf

Above the Top

- (RR) LED Lights

Tray Slide / Cutting Board Options

- (A) Beaded, stainless steel tray slide
- (B) Flat Surface, stainless steel
- (C) Tubular stainless steel
- (D) 8" wide Stainless Steel cutting board
- (E) 8" wide Richlite® composite cutting board

Base Options

- (EB) Enclosed Base - no under storage
- (Y) Hinged Doors
- (SS) Stainless Steel Legs
- S/S Toe Kick

Plumbing & Electrical Options

- (DD) Convenience outlet, flush
- 1/4" Turn Ball Valve
- Alternate Drain Location _____

REV 10/23/19 - Printed in the U.S.A.



LTI, Inc.
 1947 Bill Casey Parkway (888) 584-2722
 Jonesboro, GA 30236 lowtempind.com

Approvals: _____

2-Tier Ceramic Glass Shelf Table Powered by QuickSwitch™
Molded Fiberglass (F)

A.I.A. File No. 00-0-00

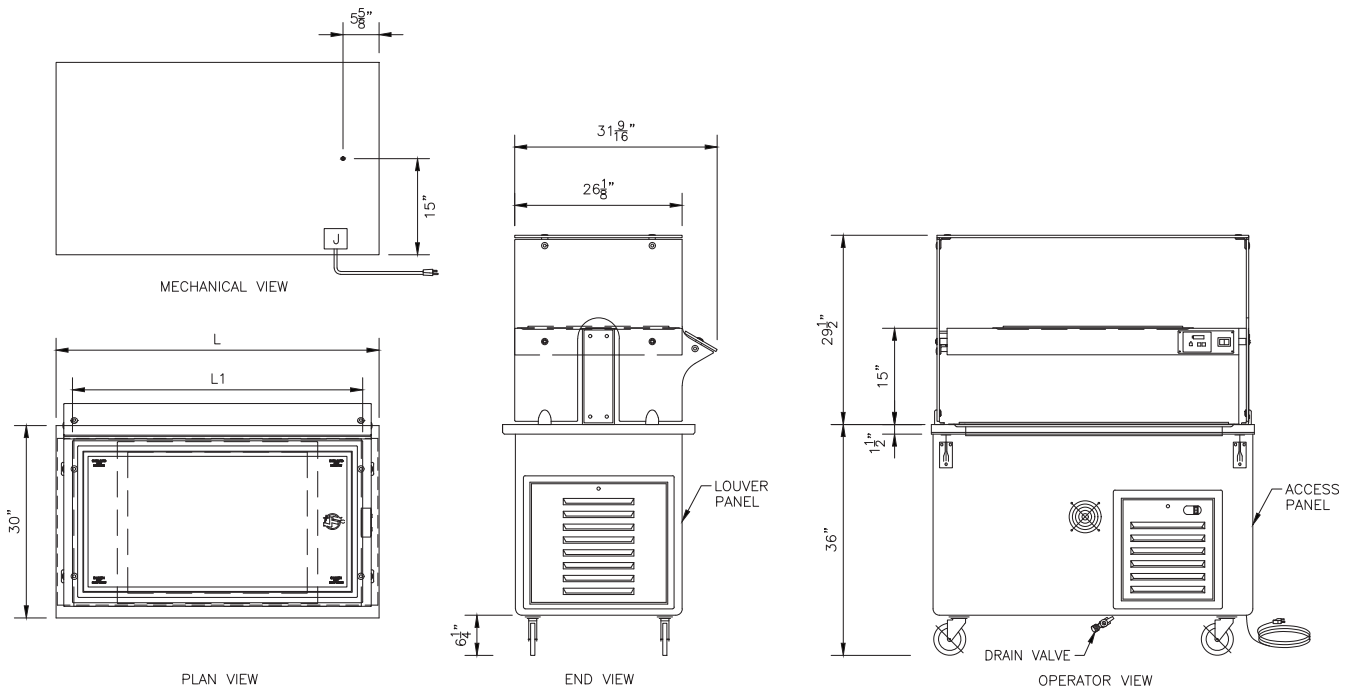
SIS No. 00-0-00

2-Tier Ceramic Glass Shelf Table Powered by QuickSwitch™



Molded Fiberglass (F)

2-Tier Ceramic Glass Shelf Table Powered by QuickSwitch™
Molded Fiberglass (F)



| Model # | Stainless Steel Top | | Solid Surface | | Heated Area | 120V/1 | | Refrigerant |
|----------------|---------------------|---------|---------------|---------|-------------|--------|-------|-------------|
| | L | L1 | L | L1 | | Amps | Plug | |
| 36-QSGT-28-2TF | 36" | 32 1/8" | 37 1/2" | 33 5/8" | 1232 sq/in | 11.0 | 5-15P | R507 |
| 50-QSGT-42-2TF | 50" | 46 1/8" | 51 1/2" | 47 5/8" | 1848 sq/in | 11.0 | 5-15P | R507 |

Décor Options (Contact Factory)

- Vinyl Graphic Wrap
- Body Decal
- Canopy (specify style & color)
- Over-structure with signage & lights (specify _____)
- Stand Off Panel (specify materials _____)

We reserve the right to change specifications and product design without notice. Such revisions do not entitle the buyer to corresponding changes, improvements, additions or replacement for previously purchased equipment.

All equipment to be built in accordance with the Underwriters Laboratories, Inc. and the National Sanitation Foundation, Inc. standards and shall bear the Underwriters Laboratories, Inc. listing label for safety and the Underwriters Laboratories classification label for sanitation.

A.I.A. File No. 00-0-00

SIS No. 00-0-00

REV 10/23/19 - Printed in the U.S.A.

LTI, Inc.
1947 Bill Casey Parkway
Jonesboro, GA 30236

(888) 584-2722
lowtempind.com



Changing
how food is served.™