



Project: \_\_\_\_\_

Item: \_\_\_\_\_

Quantity: \_\_\_\_\_

Date: \_\_\_\_\_

**Models                      Length**

2222-IC-L/S                      36"

-10 Degree Ice Cream Merchandiser  
Stainless Steel (S) or Laminate Panel (L)

2222-IC-L shown with options: (B) flat surface stainless steel tray slide, and sloped overshelf



U.L. Sanitation Classified to NSF Standards

■ Holds products at a temperature of -10° F or less

■ Stackable, coated baskets allow easy loading and prevent products from freezing to the bottom of the unit

**Standard Features**

- ✓ 30" wide 14 gauge stainless steel top
- ✓ Full sealing gasket
- ✓ Two large compartments
- ✓ Two coated baskets
- ✓ Easy-lift, see-thru lid
- ✓ 5" Locking Swivel Casters

**Top Options**

- Height other than standard 36" (specify \_\_\_\_\_)
- (TEW) Top Extensions (width \_\_\_\_\_)
- (TEL) Top Extensions (length \_\_\_\_\_)
- (CT) Corian® Top (specify \_\_\_\_\_)
- (QT) Stone Top (specify \_\_\_\_\_)
- (AA) Cam Operated Line-up Locks
- (FF) End Drop Shelf

**Tray Slide/Cutting Board Options**

- (A) Beaded, stainless steel tray slide
- (B) Flat Surface, stainless steel tray slide
- (C) Tubular stainless steel tray slide
- (CTS) Corian® Tray Slide (specify \_\_\_\_\_)
- (QTS) Stone Tray Slide (specify \_\_\_\_\_)
- Powder Coated brackets (specify RAL # \_\_\_\_\_)
- (D) 8" wide Stainless Steel cutting board
- (E) 8" wide Richlite® composite cutting board
- Other cutting board width (specify \_\_\_\_\_)

**Base Options**

- (MM) Vertical Trim Strips
- (SS) Stainless Steel Legs
- (OP) Offset Panels
- Custom Body Color (specify RAL # \_\_\_\_\_)
- S/S Toe Kick
- Other \_\_\_\_\_

**Plumbing & Electrical Options**

- (DD) Convenience outlet, flush
- (EE) Convenience outlet, pedestal
- (DC) Daisy chain
- (LC) Load center
- (TL) Twist Lock Plug & Matching Receptacle
- Alternate Drain Location \_\_\_\_\_

**Optional Features**

- (FS) Overshelf Sloped
- Additional coated baskets (specify \_\_\_\_\_)
- Lid locking assembly
- Vinyl Graphic Wrap
- Body Decal
- Canopy (specify style & color)
- Over-structure with signage & lights (specify \_\_\_\_\_)
- Digital Menu Boards
- Décor Panel

A.I.A. File No. 00-0-00

SIS No. 00-0-00

REV 2/01/19 – Printed in the U.S.A.

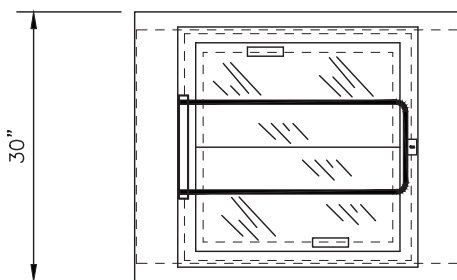
Approvals: \_\_\_\_\_

# -10 Degree Ice Cream Merchandiser

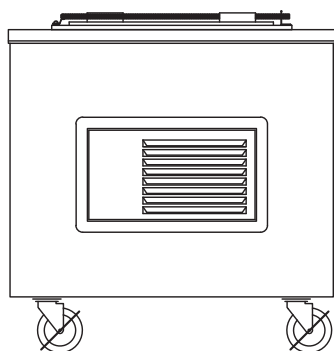
Stainless Steel (S) or Laminate Panel (L)



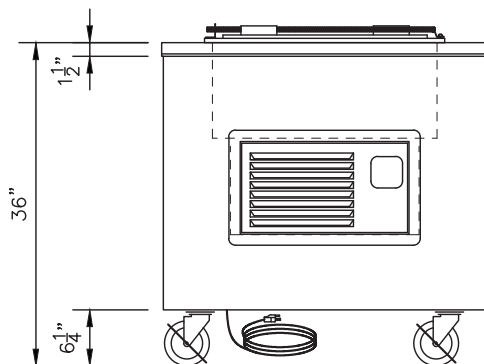
-10 Degree Ice Cream Merchandiser  
Stainless Steel (S) or Laminate Panel (L)



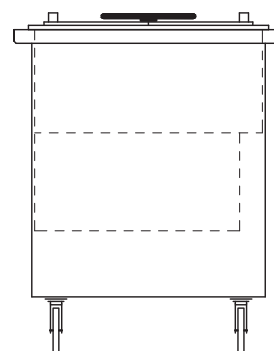
PLAN VIEW



FRONT VIEW



OPERATOR VIEW



END VIEW

Model	Length	120V/1		H.P.	Approximate Shipping Weight
		Amps	Plug		
2222-IC	36"	6.4	5-15	1/3	407 lbs.

### Freezer Specifications

Developed to hold frozen ice cream and novelty products at a temperature of -10° F or less, in an ambient of up to 85° F. Fully insulated and provided with a 1/3 hp compressor. Unit maintains proper temperatures without excessive frost build-up.

Thermal break provided between the top and refrigerated interior. Interior pan to be 18 gauge stainless steel, fully welded, ground and polished. To be fully insulated with 1-1/2" to 2" urethane insulation. The exterior jacket to be constructed of 18 gauge galvanized steel.

Baskets to be 10" x 20" x 6" deep with sanitary white plastic coating.

Refrigeration system to be hermetically sealed compressor operating with R-507 (HFC) refrigerant and be thermostat controlled.

### Top

Top to be 30" wide and fabricated from a minimum of 14 ga. stainless steel with square turndown on all sides and corners fully welded, ground and polished. Top to have #4 satin finish and with all edges having a #7 hi-lite finish.

### Body (S)

Uni-body structure, fabricated from 18 gauge stainless steel, welded ground and polished. Interior reinforced with 12 gauge galvanized uprights to support shelving and a 20 gauge steel bottom.

### Body (L)

Standard grade laminate to cover all sides of an 18 gauge steel uni-body structure. Interior reinforced with 12 gauge galvanized uprights to support shelving and a 20 gauge steel bottom. Corners and bottom edge provided with 1/2" stainless steel trim strips.

### Casters

5" diameter, ball bearing, swivel type casters to be non-marking and with brakes on all wheels. Casters to be mounted with exterior and interior bracing for maximum stress relief.

Units to be UL listed and carry the UL and UL Sanitation seals.

We reserve the right to change specifications and product design without notice. Such revisions do not entitle the buyer to corresponding changes, improvements, additions or replacement for previously purchased equipment.

All equipment to be built in accordance with the Underwriters Laboratories, Inc. and the National Sanitation Foundation, Inc. standards and shall bear the Underwriters Laboratories, Inc. listing label for safety and the Underwriters Laboratories classification label for sanitation.

A.I.A. File No. 00-0-00

SIS No. 00-0-00

REV 2/01/19 - Printed in the U.S.A.

LTI, Inc.  
1947 Bill Casey Parkway  
Jonesboro, GA 30236

(888) 584-2722  
lowtempind.com



**Changing**  
how food is served.