



Project: _____

Item: _____

Quantity: _____

Date: _____

Models Baskets

DI-2222-IC 2

DI-2222-IC shown with optional locking lid



U.L. Sanitation Classified to NSF Standards

- Self contained design allows for easy installation in any counter, cart or table.
- Holds products at a temperature of -10° F or less
- Stackable, coated baskets allow easy loading and prevent products from freezing to the bottom of the unit

Benefits

Low Temp's Super Cold Ice Cream Merchandiser was developed to hold frozen ice cream and novelty products at a temperature of -10 degrees F or less, in an ambient of up to 85 degrees F.

The design features a refrigeration system that utilizes a full surround cold air zone and includes a cold wall partition between the product baskets. Fully insulated and provided with a 1/3 hp compressor. Using R-507 HFC refrigerant, the unit maintains proper temperatures without excessive frost build-up.

The "drop-in" configuration provides a self contained design that allows for easy installation in any counter, serving line, cart or table.

Stackable, coated wire baskets are ideal for easy loading and display also prevent product from freezing to the bottom of the unit.

Standard Features

- ✓ Full sealing gasket
- ✓ Two large compartments
- ✓ Two coated baskets
- ✓ Easy-lift, see-thru lid
- ✓ 6' cord and plug

Optional Features (specify)

- Additional coated baskets (specify _____)
- Lid locking assembly

REV 2/01/19 – Printed in the U.S.A.



LTI, Inc.
1947 Bill Casey Parkway (888) 584-2722
Jonesboro, GA 30236 lowtempind.com

Approvals: _____

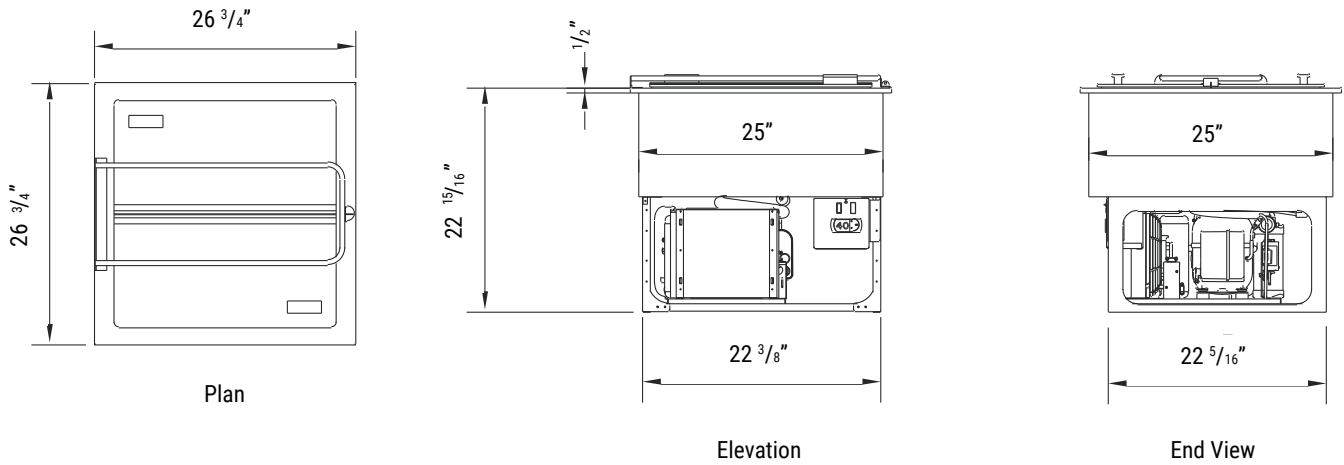
-10 Degree Ice Cream Merchandiser

Drop-Ins

-10 Degree Ice Cream Merchandiser

A.I.A. File No. 00-0-00

SIS No. 00-0-00



Model	Baskets	Cut-out size	120V/1		H.P.	Notes
			Amps	Plug		
DI-2222-IC	2	25 1/4" x 25 1/4"	6.4	5-15	1/3	

Specifications

Top perimeter frame to be constructed of 14 gauge stainless steel, welded, ground and polished with a thermal break provided between the top and refrigerated interior. Interior pan to be 18 gauge stainless steel, fully welded, ground and polished. To be fully insulated with 1-1/2" to 2" urethane insulation. The exterior jacket to be constructed of 18 gauge galvanized steel. Baskets to be 10"x20"x6" deep with sanitary white plastic coating.

Refrigeration system to be hermetically sealed compressor operating with R-507 (HFC) refrigerant and be thermostat controlled. All switches and controls to be fully accessible. Unit to have a 6' cord and plug.

Units to be UL listed and carry the UL and UL Sanitation seals.

Approval/Submittal (signature required)

Model # _____

Flange Edge Detail:

Turned (T) _____ Hugged(H) _____

(T)= 1/2" 90° turn down

(H)= 14 gauge thickness

Voltage _____

Compressor standard location is right end (from control side).

Adherence to LTI installation instructions is required.

Failure to do so may void the warranty.

Signature _____

Date _____

We reserve the right to change specifications and product design without notice. Such revisions do not entitle the buyer to corresponding changes, improvements, additions or replacement for previously purchased equipment.

All equipment to be built in accordance with the Underwriters Laboratories, Inc. and the National Sanitation Foundation, Inc. standards and shall bear the Underwriters Laboratories, Inc. listing label for safety and the Underwriters Laboratories classification label for sanitation.

