



Project: _____

Item: _____

Quantity: _____

Date: _____

Models

- ST-W-45-F

Solid Top 45° Wedge Filler Unit
Molded Fiberglass (F)

ST-W-45-F shown with option: (SS) Stainless Steel Legs.



- Upgrade directional flow in serving lines
- Makes a perfect 45° turn in any serving line
- Sanitary, easy to clean design

Standard Features

- ✓ 14 gauge stainless steel top
- ✓ Molded fiberglass body
- ✓ 5" Locking Swivel Casters

Top Options

- Height other than standard 36" (specify _____)
- (CT) Corian® Top (specify _____)
- (QT) Stone Top (specify _____)
- (AA) Cam Operated Line-up Lock
- (FF) End Drop Shelf
- Cutouts (specify _____)

Tray Slide/Cutting Board Options

- (A) Beaded, stainless steel tray slide
- (B) Flat Surface, stainless steel tray slide
- (C) Tubular stainless steel tray slide
- (CTS) Corian® Tray Slide (specify _____)
- (QTS) Stone Tray Slide (specify _____)
- Powder Coated brackets (specify RAL # _____)
- (D) 8" wide Stainless Steel cutting board
- (E) 8" wide Richlite® composite cutting board
- Other cutting board width (specify _____)

Base Options

- (AA) Cam Operated Line-up Locks
- (MM) Vertical Trim Strips
- (SS) Stainless Steel Legs
- Custom Body Color (specify RAL # _____)
- S/S Toe Kick
- Other _____

Electrical Options

- (DD) Convenience outlet, flush
- (EE) Convenience outlet, pedestal
- (DC) Daisy chain
- (LC) Load center

Other Options (Contact Factory)

- Vinyl Graphic Wrap
- Body Decal
- Over-structure with signage & lights (specify _____)
- Digital Menu Boards
- Décor Panel

A.I.A. File No. 00-0-00

SIS No. 00-0-00

REV 1/30/19 - Printed in the U.S.A.

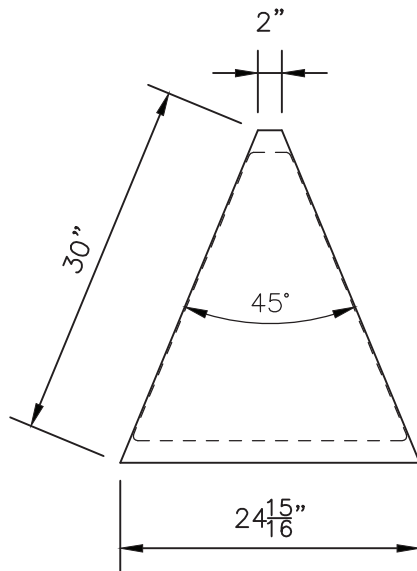
Approvals: _____

Solid Top 45° Wedge Filler Unit

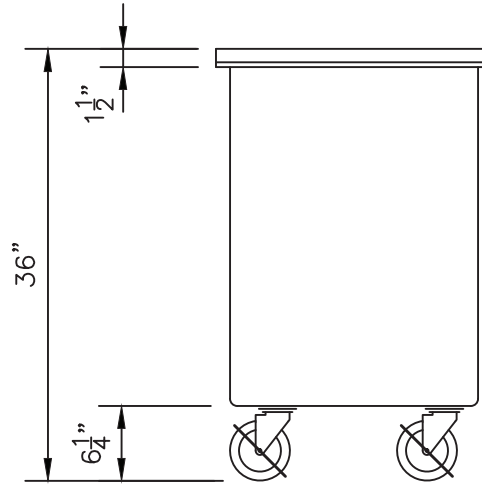
Molded Fiberglass (F)



Solid Top 45° Wedge Filler Unit
Molded Fiberglass (F)



PLAN VIEW



OPERATOR VIEW

Model	L x W x H	Approx. Ship Weight
ST-W-45	25" x 30" x 36"	175 lbs.

Top

Top to be 30" wide and fabricated from a minimum of 14 ga. stainless steel with square turndown on all sides and corners fully welded, ground and polished. Top to have #4 satin finish and with all edges having a #7 hi-lite finish.

Body (F)

Body to be seamless molded fiberglass (F.R.P.) with smooth exterior surfaces and rounded corners. To be constructed by a hand lay-up process with four layers of 1.5 oz continuous strand fiberglass mat, plus a 24 oz layer of woven roving on the bottom for added strength. Fiberglass to be flame retardant per specification ASTM E-162 having a flame spread of 25% or less. Body interior to be reinforced at each end with 4 wide, 12 gauge galvanized channels welded to form integral U frame for maximum stress relief.

Castors

5" diameter, ball bearing, swivel type castors to be non-marking and with brakes on all wheels. Castors to be mounted thru two 12 gauge channels for extra rigidity.

We reserve the right to change specifications and product design without notice. Such revisions do not entitle the buyer to corresponding changes, improvements, additions or replacement for previously purchased equipment.

All equipment to be built in accordance with the Underwriters Laboratories, Inc. and the National Sanitation Foundation, Inc. standards and shall bear the Underwriters Laboratories, Inc. listing label for safety and the Underwriters Laboratories classification label for sanitation.

A.I.A. File No. 00-0-00

SIS No. 00-0-00

REV 1/30/19 - Printed in the U.S.A.

LTI, Inc.
1947 Bill Casey Parkway
Jonesboro, GA 30236

(888) 584-2722
lowtempind.com



Changing
how food is served.