



Project: \_\_\_\_\_

Item: \_\_\_\_\_

Quantity: \_\_\_\_\_

Date: \_\_\_\_\_

**Models**

ST-W-45-L/S

Solid Top 45° Wedge Filler Unit  
Stainless Steel (S) or Laminate Panel (L)

ST-W-45-L shown with option: (SS) Stainless Steel Legs.



- Upgrade directional flow in serving lines
- Makes a perfect 45° turn in any serving line
- Sanitary, easy to clean design

**Standard Features**

- ✓ 14 gauge stainless steel top
- ✓ 5" Locking Swivel Casters

**Top Options**

- Height other than standard 36" (specify \_\_\_\_\_)
- (CT) Corian® Top (specify \_\_\_\_\_)
- (QT) Stone Top (specify \_\_\_\_\_)
- (AA) Cam Operated Line-up Lock
- (FF) End Drop Shelf
- Cutouts (specify \_\_\_\_\_)

**Tray Slide/Cutting Board Options**

- (A) Beaded, stainless steel tray slide
- (B) Flat Surface, stainless steel tray slide
- (C) Tubular stainless steel tray slide
- (CTS) Corian® Tray Slide (specify \_\_\_\_\_)
- (QTS) Stone Tray Slide (specify \_\_\_\_\_)
- Powder Coated brackets (specify RAL # \_\_\_\_\_)
- (D) 8" wide Stainless Steel cutting board
- (E) 8" wide Richlite® composite cutting board
- Other cutting board width (specify \_\_\_\_\_)

**Base Options**

- (AA) Cam Operated Line-up Locks
- (MM) Vertical Trim Strips
- (SS) Stainless Steel Legs
- S/S Toe Kick
- Other \_\_\_\_\_

**Electrical Options**

- (DD) Convenience outlet, flush
- (EE) Convenience outlet, pedestal
- (DC) Daisy chain
- (LC) Load center

**Other Options (Contact Factory)**

- Vinyl Graphic Wrap
- Body Decal
- Over-structure with signage & lights (specify \_\_\_\_\_)
- Digital Menu Boards
- Décor Panel

A.I.A. File No. 00-0-00

SIS No. 00-0-00

REV 1/30/19 - Printed in the U.S.A.

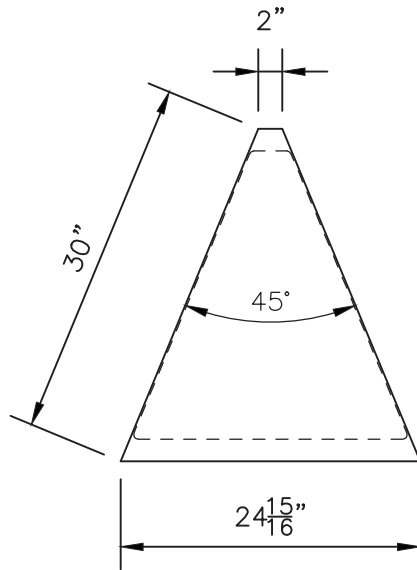
Approvals: \_\_\_\_\_

# Solid Top 45° Wedge Filler Unit

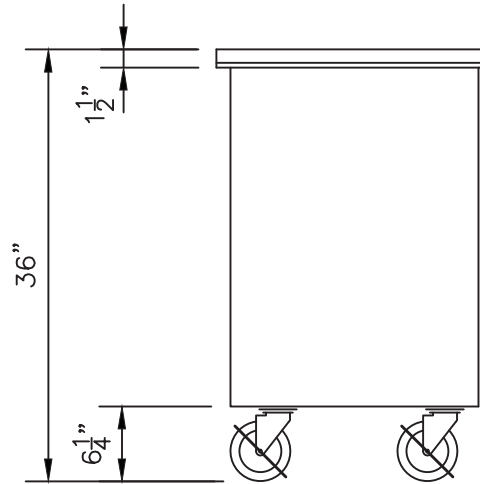
Stainless Steel (S) or Laminate Panel (L)



Solid Top 45° Wedge Filler Unit  
Stainless Steel (S) or Laminate Panel (L)



PLAN VIEW



OPERATOR VIEW

Model	L x W x H	Approx. Ship Weight
ST-W-45	25" x 30" x 36"	175 lbs.

## Top

Top to be 30" wide and fabricated from a minimum of 14 ga. stainless steel with square turndown on all sides and corners fully welded, ground and polished. Top to have #4 satin finish and with all edges having a #7 hi-lite finish.

## Body (S)

Uni-body structure, fabricated from 18 gauge stainless steel, welded ground and polished. Interior reinforced with 12 gauge galvanized uprights to support shelving and a 20 gauge steel bottom.

## Body (L)

Standard grade laminate to cover all sides of an 18 gauge steel uni-body structure. Interior reinforced with 12 gauge galvanized uprights to support shelving and a 20 gauge steel bottom. Corners and bottom edge provided with 1/2" stainless steel trim strips.

## Casters

5" diameter, ball bearing, swivel type casters to be non-marking and with brakes on all wheels. Casters to be mounted thru two 12 gauge channels for extra rigidity.

We reserve the right to change specifications and product design without notice. Such revisions do not entitle the buyer to corresponding changes, improvements, additions or replacement for previously purchased equipment.

All equipment to be built in accordance with the Underwriters Laboratories, Inc. and the National Sanitation Foundation, Inc. standards and shall bear the Underwriters Laboratories, Inc. listing label for safety and the Underwriters Laboratories classification label for sanitation.

A.I.A. File No. 00-0-00

SIS No. 00-0-00

REV 1/30/19 - Printed in the U.S.A.

LTI, Inc.  
1947 Bill Casey Parkway  
Jonesboro, GA 30236

(888) 584-2722  
lowtempind.com



Changing  
how food is served.