



Project: _____

Item: _____

Quantity: _____

Date: _____

Models Length

- CPM 1306-F 39 3/4"
- CPM 1310-F 57"
- CPM 1314-F 75 3/4"

CPM-1310-F shown with option: (GG) lid locks



- Holds crates, no re-loading necessary
- Durable and easy to clean
- Easy mobility
- Crates maintained at easy-to-reach height

Standard Features

- ✓ 14 gauge stainless steel tops
- ✓ Insulated stainless steel sliding doors
- ✓ Molded fiberglass body
- ✓ Self-leveling crate dispensers
- ✓ Dispensers adjustable without tools
- ✓ Welded stainless steel interior
- ✓ 5" swivel casters

Optional Features (specify)

- Height other than standard 36 (specify _____)
- (A) Beaded, stainless steel tray slide
- (B) Flat Surface, stainless steel tray slide
- (C) Tubular Solid Surface, stainless steel tray slide
- (CTS) Corian® Tray Slide (specify _____)
- (QTS) Stone Tray Slide (specify _____)
- Powder Coated brackets (specify RAL # _____)
- (D) 8" wide Stainless Steel cutting board
- (E) 8" wide Richlite® composite cutting board
- Other cutting board width (specify _____)
- (AA) Cam Operated Line-up Locks
- (DD) Convenience outlet, flush

- (EE) Convenience outlet, pedestal
- (FF) End Drop Shelf
- (GG) Lid Locks
- (MM) Vertical Trim Strips
- (SS) Stainless Steel Legs
- (TT) Wrap-around bumper
- (DC) Daisy chain
- (LC) Load center
- Powder Coat Louvers (specify RAL # _____)
- S/S Toe Kick
- Custom Body Color (specify RAL # _____)

Optional Features (specify)

- Vinyl Graphic Wrap
- Body Decal
- Canopy (specify style & color)
- Over-structure with signage & lights (specify _____)
- Digital Menu Boards
- Décor Panel

Sliding Top Milk Case Dispenser
Molded Fiberglass (F)

A.I.A. File No. 00-0-00

SIS No. 00-0-00

REV 2/01/19 – Printed in the U.S.A.



LTI, Inc.
1947 Bill Casey Parkway (888) 584-2722
Jonesboro, GA 30236 lowtempind.com

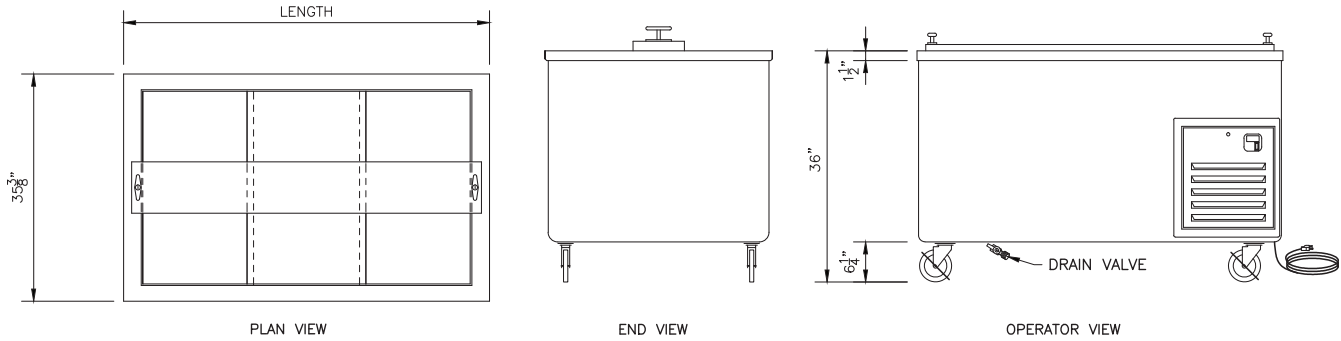
Approvals: _____

Sliding Top Milk Case Dispenser

Molded Fiberglass (F)



Sliding Top Milk Case Dispenser
Molded Fiberglass (F)



Model	Length	Dairy Cases	Capacity - using 1/2 pt cartons @ 48/case	Comp.	120V/1 phase		Ship Weight
					Amps	Plug	
CPM 1306	39 3/4"	6	288	1/3 H.P.	7.1	5-15P	375 lbs.
CPM 1310	57"	10	480	1/3 H.P.	7.1	5-15P	515 lbs.
CPM 1314	75 3/4"	14	672	1/3 H.P.	7.1	5-15P	595 lbs.

Body (F)

Body to be seamless molded fiberglass (F.R.P.) with smooth exterior surfaces and rounded corners. To be constructed by a hand lay-up process with four layers of 1.5 oz continuous strand fiberglass mat, plus a 24 oz layer of woven roving on the bottom for added strength. Fiberglass to be flame retardant per specification ASTM E-162 having a flame spread of 25% or less. Body interior to be reinforced at each end with 4 wide, 12 gauge galvanized channels welded to form integral U frame for maximum stress relief. Refrigerated interior to be a welded steel cabinet with a water tight liner, fully insulated and with a 1 brass drain extended below the body to a shut off valve.

Top and Lids

Top to be 14 ga. stainless steel with square turndown on all sides and corners fully welded, ground and polished. To have #4 satin finish and all edges to have #7 hi-lite finish. Interior top to turn down into opening and complete with integral ledges to support sliding lids. Lids shall be 18 ga. stainless steel double pan construction complete with stainless steel hand pulls. Cabinet and lids are full insulated with urethane insulation.

Self-leveling System

Each milk crate to be held at proper height by two stainless steel self-leveling mechanisms, field adjustable without tools, and a removable stainless steel carrier. (Area above compressor will not be self-leveling.)

Refrigeration System

A temperature of 38 degrees F shall be maintained by a cold wall evaporator system, with an accessible expansion valve. The condensing unit shall be a fully hermetic system using R-134A refrigerant, with all necessary controls.

We reserve the right to change specifications and product design without notice. Such revisions do not entitle the buyer to corresponding changes, improvements, additions or replacement for previously purchased equipment.

All equipment to be built in accordance with the Underwriters Laboratories, Inc. and the National Sanitation Foundation, Inc. standards and shall bear the Underwriters Laboratories, Inc. listing label for safety and the Underwriters Laboratories classification label for sanitation.

A.I.A. File No. 00-0-00

SIS No. 00-0-00

REV 2/01/19 - Printed in the U.S.A.

LTI, Inc.
1947 Bill Casey Parkway
Jonesboro, GA 30236

(888) 584-2722
lowtempind.com



Changing
how food is served.