



Project: \_\_\_\_\_

Item: \_\_\_\_\_

Quantity: \_\_\_\_\_

Date: \_\_\_\_\_

Models	Length
<input type="checkbox"/> 36-CPS-F	36 3/8"
<input type="checkbox"/> 50-CPS-F	50 3/8"
<input type="checkbox"/> 60-CPS-F	60 3/8"
<input type="checkbox"/> 66-CPS-F	66 3/8"
<input type="checkbox"/> 74-CPS-F	74 3/8"
<input type="checkbox"/> 84-CPS-F	84 3/8"
<input type="checkbox"/> 96-CPS-F	96 3/8"
<input type="checkbox"/> 144-CPS-F	144 3/8"

**50-CPS-F, shown with options:** (A) beaded stainless tray slide, (E) 8" wide Richlite® composite cutting board, and (GA) sloped front adjustable protector.



- With optional heat lamps and pan recess, this is ideal for serving piping hot pizza slices!
- Durable, colorful molded fiberglass mobile units
- Easy to clean, low maintenance

### Standard Features

- ✓ 30" wide 14 gauge stainless steel top
- ✓ Molded fiberglass body
- ✓ Open Storage Base
- ✓ 5" Locking Swivel Casters

### Top

- Height other than std. 36" (specify \_\_\_\_)
- (RE) Recess for 18" x 26" pans
- (TEW) Top Extensions (width\_\_\_\_)
- (TEL) Top Extensions (length \_\_\_\_)
- (CT) Corian® Top (specify \_\_\_\_)
- (QT) Stone Top (specify \_\_\_\_)
- (AA) Cam Operated Line-up Locks
- (FF) End Drop Shelf

### Above the Top

- (F) Overshelf
- (GA) Sloped Front Protector, Adjustable
- (GAG) Sloped Front Protector – Adjustable – Glass Top Shelf
- (GC) Sloped Front Protector, Glass Clips
- (GCG) Sloped Front Protector – Glass Clips – Glass Top Shelf
- (M) Buffet Shield Single Service Hinged
- (N) Buffet Shield Double Service Hinged

- (GTS) Glass Top Shelf for Protector or Buffet Shield
- (I) 2 tier Display Shelf, single service
- (I2) 2 tier Display Shelf, double service
- (CCP) Curved Tempered Glass Protector
- (SCP) Straight Tempered Glass Protector
- (CCB) Curved Tempered Glass Buffet Shield
- Powder Coated finish (specify RAL #\_\_\_\_)
- (RR) LED Lights
- (S) Infra-Red Heat Lamp Strip
- (U) Infra-Red Heat Strip with Lights

### Tray Slide/Cutting Board Options

- (A) Beaded, stainless steel tray slide
- (B) Flat Surface, stainless steel tray slide
- (C) Tubular stainless steel tray slide
- (CTS) Corian® Tray Slide (specify \_\_\_\_)
- (QTS) Stone Tray Slide (specify \_\_\_\_)
- Powder Coated brackets (specify RAL #\_\_\_\_)
- (D) 8" wide Stainless Steel cutting board
- (E) 8" wide Richlite® composite cutting board
- Other cutting board width (specify\_\_\_\_)

### Base Options

- (EB) Enclosed Base – no under storage
- (Y) Hinged Doors
- (BB) Heated Storage Base
- (NN) Fiberglass Door Panels
- (MM) Vertical Trim Strips
- (SS) Stainless Steel Legs
- (OP) Offset Panels
- Custom Body Color (specify RAL #\_\_\_\_)
- S/S Toe Kick
- (IU) Intermediate Undershelf
- Other \_\_\_\_\_

### Plumbing & Electrical Options

- (DD) Convenience outlet, flush
- (EE) Convenience outlet, pedestal
- (DC) Daisy chain
- (LC) Load center
- (TL) Twist Lock Plug & Matching Receptacle
- Alternate Drain Location \_\_\_\_\_

### Other Options (Contact Factory)

- Vinyl Graphic Wrap
- Body Decal
- Over-structure with signage & lights (specify\_\_\_\_)
- Digital Menu Boards
- Décor Panel

REV 2/01/19 – Printed in the U.S.A.



LTI, Inc.  
1947 Bill Casey Parkway (888) 584-2722  
Jonesboro, GA 30236 lowtempind.com

Approvals: \_\_\_\_\_

# Hot Top Table

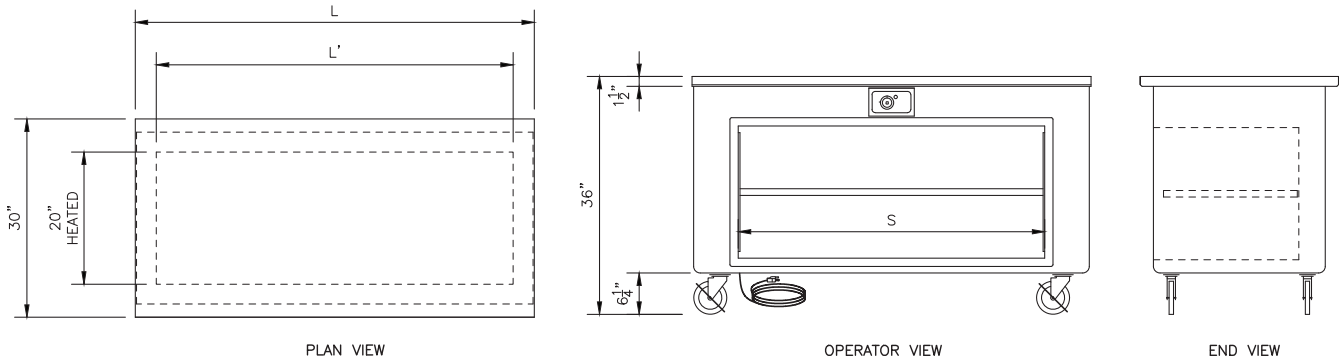
Molded Fiberglass (F)



Hot Top Table  
Molded Fiberglass (F)

A.I.A. File No. 00-0-00

SIS No. 00-0-00



Model #	Unit Length (L)	Heated Length (L')	Storage Length (S)	120V, 1 Phase		Approximate Ship Weight
				Amps	Nema	
28-CPS	28 3/8"	22"	N/A	1	5-15P	150 lbs.
36-CPS	36 3/8"	30"	15"	1.3	5-15P	200 lbs.
50-CPS	50 3/8"	44"	36"	2.4	5-15P	225 lbs.
60-CPS	60 3/8"	54"	46"	2.8	5-15P	250 lbs.
66-CPS	66 3/8"	54"	46"	2.8	5-15P	275 lbs.
74-CPS	74 3/8"	68"	(2) 28"	3.7	5-15P	275 lbs.
84-CPS	84 3/8"	68"	28" & 36"	3.7	5-15P	300 lbs.
96-CPS	96 3/8"	90"	28" & 46"	4.1	5-15P	325 lbs.
144-CPS	144 3/8"	90"	(2) 46"	4.1	5-15P	400 lbs.

Adding additional electrical components will change the total electric load.

### Top

Top to be 30" wide and fabricated from a minimum of 14 ga. stainless steel with square turndown on all sides and corners fully welded, ground and polished. Top to have #4 satin finish and with all edges having a #7 hi-lite finish.

### Body (F)

Body to be seamless molded fiberglass (F.R.P) with smooth exterior surfaces and rounded corners. To be constructed by a hand lay-up process with four layers of 1.5 oz continuous strand fiberglass mat, plus a 24 oz layer of woven roving on the bottom for added strength. Fiberglass to be flame retardant per specification ASTM E-162 having a flame spread of 25% or less. Body interior to be reinforced at each end with 4" wide, 12 gauge galvanized channels welded to form integral U frame for maximum stress relief.

### Casters

5" diameter, ball bearing, swivel type casters to be non-marking and with brakes on all wheels. Casters to be mounted with exterior and interior bracing for maximum stress relief.

### Heated Top

Heated top surface to be maintained at 120 deg. F by an insulated heat blanket attached securely to the underside of the 14 gauge stainless steel top. Surface temperature to be controlled by an infinite control recessed into the fiberglass body below the top on the operator's side.

We reserve the right to change specifications and product design without notice. Such revisions do not entitle the buyer to corresponding changes, improvements, additions or replacement for previously purchased equipment.

All equipment to be built in accordance with the Underwriters Laboratories, Inc. and the National Sanitation Foundation, Inc. standards and shall bear the Underwriters Laboratories, Inc. listing label for safety and the Underwriters Laboratories classification label for sanitation.

REV 2/01/19 - Printed in the U.S.A.

LTI, Inc.  
1947 Bill Casey Parkway  
Jonesboro, GA 30236

(888) 584-2722  
lowtempind.com



Changing  
how food is served.