



Project: _____

Item: _____

Quantity: _____

Date: _____

Models	Length
<input type="checkbox"/> 28-BT-F	28 3/8"
<input type="checkbox"/> 36-BT-F	36 3/8"
<input type="checkbox"/> 50-BT-F	50 3/8"
<input type="checkbox"/> 60-BT-F	60 3/8"
<input type="checkbox"/> 66-BT-F	66 3/8"
<input type="checkbox"/> 74-BT-F	74 3/8"
<input type="checkbox"/> 84-BT-F	84 3/8"
<input type="checkbox"/> 96-BT-F	96 3/8"
<input type="checkbox"/> 144-BT-F	144 3/8"

96-BT-F shown with option: (A) beaded stainless steel tray slide.



- Versatile counters, add the options you need!
- Durable, colorful, molded fiberglass
- Easy to clean, low maintenance

Standard Features

- ✓ 30" wide 14 gauge stainless steel top
- ✓ Molded fiberglass body
- ✓ Drain trough
- ✓ Open Storage Base
- ✓ 5" Locking Swivel Casters

Top

- Height other than standard 36" (specify _____)
- (TEW) Top Extensions (width _____)
- (TEL) Top Extensions (length _____)
- (CT) Corian® Top (specify _____)
- (QT) Stone Top (specify _____)
- (AA) Cam Operated Line-up Locks
- (FF) End Drop Shelf
- Drop-in (Specify _____)

Above the Top

- (F) Overshelf
- (I) 2 tier Display Shelf, single service
- (I2) 2 tier Display Shelf, double service
- Powder Coated Posts and Hardware (specify RAL # _____)
- (RR) LED Lights

Tray Slide/Cutting Board Options

- (A) Beaded, stainless steel
- (B) Flat Surface, stainless steel
- (C) Tubular Solid Surface, stainless steel
- (CTS) Corian® Tray Slide (specify _____)
- (QTS) Stone Tray Slide (specify _____)
- Powder Coated brackets (specify RAL # _____)
- (D) 8" wide Stainless Steel cutting board
- (E) 8" wide Richlite® composite cutting board
- Other cutting board width (specify _____)

Base Options

- (EB) Enclosed Base - no under storage
- (Y) Hinged Doors
- (BB) Heated Base
- (CC) Refrigerated Base
- (NN) Fiberglass Door Panels
- (MM) Vertical Trim Strips
- (SS) Stainless Steel Legs
- (OP) Offset Panels
- Powder Coat Louvers (specify RAL # _____)
- Custom Body Color (specify RAL # _____)
- S/S Toe Kick (TC)
- (IU) Intermediate Under-shelf
- Other _____

Plumbing & Electrical Options

- (DD) Convenience outlet, flush
- (EE) Convenience outlet, pedestal
- (DC) Daisy chain
- (LC) Load center
- Alternate Drain Location _____

Other Options (Contact Factory)

- Vinyl Graphic Wrap
- Body Decal
- Canopy (specify style & color)
- Over-structure with signage & lights (specify _____)
- Digital Menu Boards
- Décor Panel

Beverage Table
Molded Fiberglass (F)

A.I.A. File No. 00-0-00

SIS No. 00-0-00

REV 1/30/19 - Printed in the U.S.A.



LTI, Inc.
1947 Bill Casey Parkway (888) 584-2722
Jonesboro, GA 30236 lowtempind.com

Approvals: _____

Beverage Table

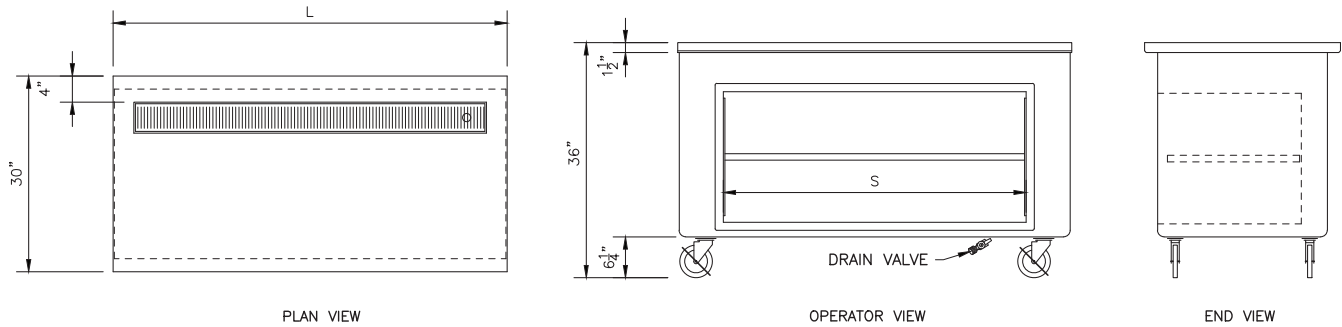
Molded Fiberglass (F)



Beverage Table
Molded Fiberglass (F)

A.I.A. File No. 00-0-00

SIS No. 00-0-00



Model	L	S	Approx. Ship Weight
28-BT	28 ^{3/8} "	N/A	205 lbs.
36-BT	36 ^{3/8} "	15"	220 lbs.
50-BT	50 ^{3/8} "	36"	260 lbs.
60-BT	60 ^{3/8} "	46"	300 lbs.
66-BT	66 ^{3/8} "	46"	320 lbs.
74-BT	74 ^{3/8} "	(2) 28"	340 lbs.
84-BT	84 ^{3/8} "	28" & 36"	360 lbs.
96-BT	96 ^{3/8} "	28" & 46"	380 lbs.
144-BT	144 ^{3/8} "	(2) 46"	750 lbs.

Top

Top to be 30 wide and fabricated from a minimum of 14 gauge stainless steel with square turndown on all sides and corners fully welded, ground and polished. Top to have #4 satin finish and with all edges having a #7 hi-lite finish.

Body (F)

Body to be seamless molded fiberglass (F.R.P.) with smooth exterior surfaces and rounded corners. To be constructed by a hand lay-up process with four layers of 1.5 oz continuous strand fiberglass mat, plus a 24 oz layer of woven roving on the bottom for added strength. Fiberglass to be flame retardant per specification ASTM E-162 having a flame spread of 25% or less. Body interior to be reinforced at each end with 4 wide, 12 gauge galvanized channels welded to form integral U frame for maximum stress relief.

Casters

5" diameter, ball bearing, swivel type casters to be non-marking and with brakes on all wheels. Casters to be mounted with exterior and interior bracing for maximum stress relief.

Drain Trough

14 ga. stainless steel drain trough welded into top and fitted with a removable stainless steel anti splash grid. Trough to slope to 1" open brass drain and extend to shut off valve located below base.

We reserve the right to change specifications and product design without notice. Such revisions do not entitle the buyer to corresponding changes, improvements, additions or replacement for previously purchased equipment.

All equipment to be built in accordance with the Underwriters Laboratories, Inc. and the National Sanitation Foundation, Inc. standards and shall bear the Underwriters Laboratories, Inc. listing label for safety and the Underwriters Laboratories classification label for sanitation.

REV 1/30/19 - Printed in the U.S.A.

LTI, Inc.
1947 Bill Casey Parkway
Jonesboro, GA 30236

(888) 584-2722
lowtempind.com



Changing
how food is served.