



Project: _____

Item: _____

Quantity: _____

Date: _____

Drop-in Models	Length
<input type="checkbox"/> CSDR-DI-46 PVW	46 1/4"
<input type="checkbox"/> CSDR-DI-64 PVW	64 1/4"

CSDR-DI-46 PVW



- Seamless welded stainless steel construction
- Easy to load
- Large capacity
- Adjustable shelves
- Interior lights provide product visibility
- Powder coated to match your décor (see options)

Standard Features

- ✓ Self-closing doors (front & back)
- ✓ Digital solid-state temperature control
- ✓ Door Locks
- ✓ 4 Heavy duty stainless steel shelves
- ✓ 4 recessed interior LED lights
- ✓ Self-contained refrigeration system
- ✓ Double service design (suffix P)

Optional Features (specify)

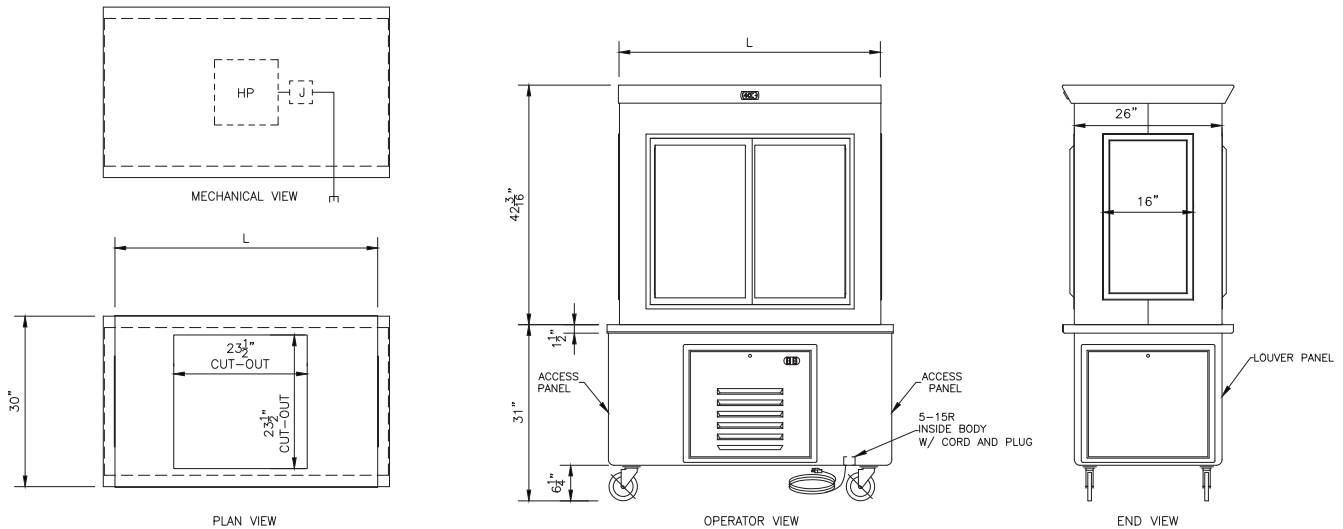
- Single service (suffix S)
- Glass or mirror inside back (single service only)
- Remote refrigeration system
- Lighted signs and graphics (specify)
- Powder coated exterior (specify)

REV 2/01/19 – Printed in the U.S.A.



LTI, Inc.
1947 Bill Casey Parkway
Jonesboro, GA 30236
(888) 584-2722
lowtempind.com

Approvals: _____



Model Housing	Length	Height	Height w/ Comp – ADJ.	H.P.	120V/1 phase		Ship Weight
					Amps	Plug	
CSDR-DI-46 PVW	46 $\frac{1}{4}"$	42"	60 $\frac{7}{8}"$ – 72"	$\frac{1}{2}$	16	5-20P	400 lbs.
CSDR-DI-64 PVW	64 $\frac{1}{4}"$	42"	60 $\frac{7}{8}"$ – 72"	$\frac{1}{2}$	16	5-20P	480 lbs.

General Specifications

Refrigeration system to be 1/2 HP air-cooled, hermetically sealed condensing unit fully connected and tested, ready to plug in. It shall be mounted on a channel base, and system will include 2 each 16"x16" louvered access panels of 18 gauge stainless steel. Louvered panels must be installed in base unit (by others) to allow straight-through air flow. NOTE: Cut-out opening must be reinforced to support the weight of display refrigerator and product load. Body To be fully insulated with a seamless 16 gauge stainless steel, welded, ground and polished exterior. Interior to be a 20 gauge welded stainless steel liner, and to contain 4 recessed LED lights. Doors Insulated, self-closing glass doors front and back

(except on single service units) with plunger style locks, and to include 2 stainless steel slotted shelves mounted on stainless steel pilasters and clips.

NOTE: To ensure proper operation, adequate airflow must be provided.

Approval/Submittal (signature required)

Model # _____

Adherence to LTI installation instructions is required. Failure to do so may void the warranty.

Signature _____

Date _____

We reserve the right to change specifications and product design without notice. Such revisions do not entitle the buyer to corresponding changes, improvements, additions or replacement for previously purchased equipment.

All equipment to be built in accordance with the Underwriters Laboratories, Inc. and the National Sanitation Foundation, Inc. standards and shall bear the Underwriters Laboratories, Inc. listing label for safety and the Underwriters Laboratories classification label for sanitation.