

Heated Pass-Thru Merchandiser



Project: _____

Item: _____

Quantity: _____

Date: _____

Models	Length
<input type="checkbox"/> HM-27	27 3/4"
<input type="checkbox"/> HM-48	48"
<input type="checkbox"/> HM-39LS (level shelves)	39 1/8"

Standard Features

- ✓ Lighted signage and graphics
- ✓ Display area for product labels
- ✓ Adjustable dividers
- ✓ Stainless steel interior
- ✓ Hard-coated shelves
- ✓ Removable interior components
- ✓ Infra-red heat strips
- ✓ Lighted shelves
- ✓ 6' cord and plug
- ✓ 200 powder coat colors (specify RAL#'s _____)
- ✓ Non-skid, Non-marking feet

Optional Features (specify)

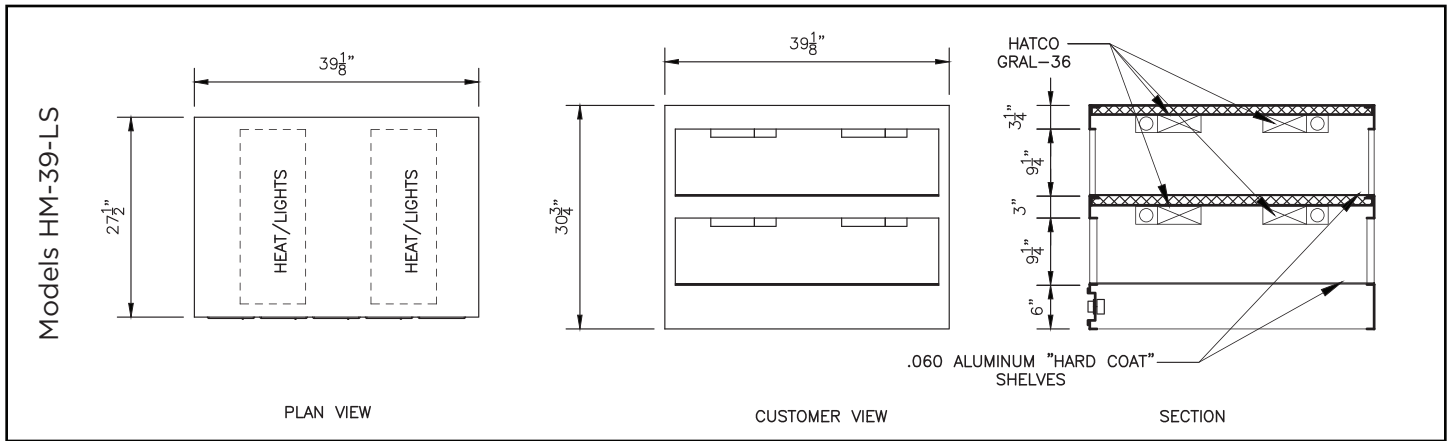
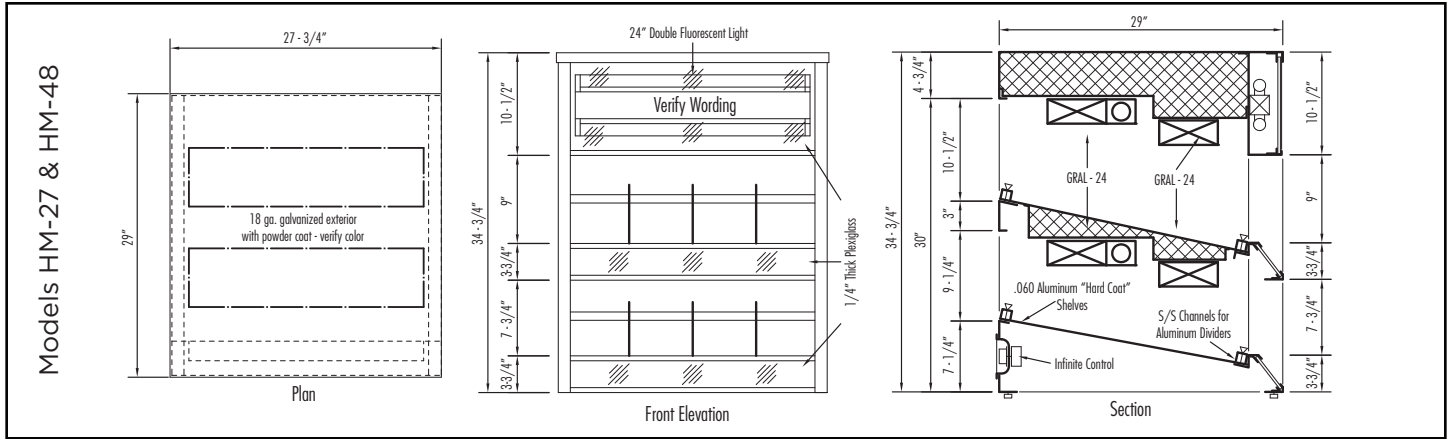
- Custom sign/logo (specify _____)
- Other voltages (specify _____)
- Additional divider bars
- Stainless steel exterior
- Floor stand
- French fry section (consult factory for price)

Graphics

- Hamburger and fries
- Sub sandwiches
- Deli sandwiches
- Submit your own graphic (consult factory)

- ▶ Easy to clean
- ▶ Maximizes presentation
- ▶ Loads from back
- ▶ Durable hard-coated shelves
- ▶ Individual heat controls for energy savings
- ▶ Lighted signage "sells" your product
- ▶ Protected areas for product information

Heated Pass-Thru Merchandiser



Model	Length	Height	Depth	120V/1		120/208V/1		Estimated Ship Weight	Notes
				Amps	Plug	Amps	Plug		
HM-27	27 3/4"	34 3/4"	29"	14.4	5-20P	9.6	14-20P	200 lbs.	
HM-48	48"	34 3/4"	29"	26	5-50P	17.0	14-30P	300 lbs.	
HM-39-LS	39 1/8"	30 3/4"	27 1/2"	15.6	5-20P	10.8	14-20P	300 lbs.	

General Specifications
 Heated merchandiser models to have all welded powder coated exterior and type 304 18-8 stainless steel interior with hard-coated aluminum shelves. Two infrared heat strips to be located above each shelf with individual infinite controls located on rear of unit and out of heat zone. Each shelf to be lighted, as well as the top front display panel, with separate on/off switches. Merchandiser shall have protected area in front of each shelf for product graphics (graphics by others). All electric components to be individually fused, and the merchandiser shall be UL listed.

Approval/Submittal (signature required)
 Model # _____
 Voltage _____
 Compressor standard location is right end (from control side)..
 Adherence to LTI installation instructions is required. Failure to do so may void the warranty.

Signature _____

Date _____

We reserve the right to change specifications and product design without notice. Such revisions do not entitle the buyer to corresponding changes, improvements, additions or replacement for previously purchased equipment.

All equipment to be built in accordance with the Underwriters Laboratories, Inc. and the National Sanitation Foundation, Inc. standards and shall bear the Underwriters Laboratories, Inc. listing label for safety and the Underwriters Laboratories classification label for sanitation.