

# Beverage Table

## Molded Fiberglass (F)



96-BT-F shown with option: (A) beaded stainless steel tray slide.

**Project:** \_\_\_\_\_

**Item:** \_\_\_\_\_

**Quantity:** \_\_\_\_\_

**Date:** \_\_\_\_\_

Models	Length
<input type="checkbox"/> 28-BT-F	28 3/8"
<input type="checkbox"/> 36-BT-F	36 3/8"
<input type="checkbox"/> 50-BT-F	50 3/8"
<input type="checkbox"/> 60-BT-F	60 3/8"
<input type="checkbox"/> 66-BT-F	66 3/8"
<input type="checkbox"/> 74-BT-F	74 3/8"
<input type="checkbox"/> 84-BT-F	84 3/8"
<input type="checkbox"/> 96-BT-F	96 3/8"
<input type="checkbox"/> 144-BT-F	144 3/8"

### Standard Features

- 30" wide 14 gauge stainless steel top
- Molded fiberglass body
- Drain trough
- Open Storage Base
- 5" Locking Swivel Casters

### Top

- Height other than standard 36" (specify \_\_\_\_\_)
- (TEW) Top Extensions (width \_\_\_\_\_)
- (TEL) Top Extensions (length \_\_\_\_\_)
- (CT) Corian® Top (specify \_\_\_\_\_)
- (QT) Stone Top (specify \_\_\_\_\_)
- (AA) Cam Operated Line-up Locks
- (FF) End Drop Shelf
- Drop-in (Specify \_\_\_\_\_)

### Above the Top

- (F) Overshelf
- (I) 2 tier Display Shelf, single service
- (I2) 2 tier Display Shelf, double service
- Powder Coated Posts and Hardware (specify RAL # \_\_\_\_\_)
- (RR) LED Lights

### Tray Slide/Cutting Board Options

- (A) Beaded, stainless steel
- (B) Flat Surface, stainless steel
- (C) Tubular Solid Surface, stainless steel
- (CTS) Corian® Tray Slide (specify \_\_\_\_\_)
- (QTS) Stone Tray Slide (specify \_\_\_\_\_)
- Powder Coated brackets (specify RAL # \_\_\_\_\_)
- (D) 8" wide Stainless Steel cutting board
- (E) 8" wide Richlite® composite cutting board
- Other cutting board width (specify \_\_\_\_\_)

### Base Options

- (EB) Enclosed Base - no under storage
- (Y) Hinged Doors
- (BB) Heated Base
- (CC) Refrigerated Base
- (NN) Fiberglass Door Panels
- (MM) Vertical Trim Strips
- (SS) Stainless Steel Legs
- (OP) Offset Panels
- Powder Coat Louvers (specify RAL # \_\_\_\_\_)
- Custom Body Color (specify RAL # \_\_\_\_\_)
- S/S Toe Kick (TC)
- (IU) Intermediate Under-shelf
- Other \_\_\_\_\_

- ▶ Versatile counters, add the options you need!
- ▶ Durable, colorful, molded fiberglass
- ▶ Easy to clean, low maintenance

### Plumbing & Electrical Options

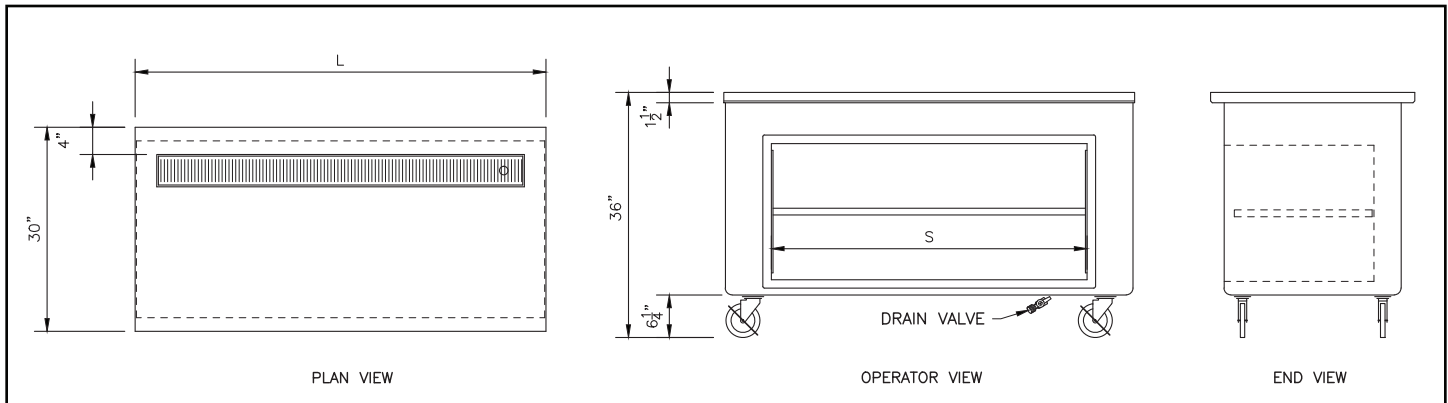
- (DD) Convenience outlet, flush
- (EE) Convenience outlet, pedestal
- (DC) Daisy chain
- (LC) Load center
- Alternate Drain Location \_\_\_\_\_

### Other Options (Contact Factory)

- Vinyl Graphic Wrap
- Body Decal
- Canopy (specify style & color)
- Over-structure with signage & lights (specify \_\_\_\_\_)
- Digital Menu Boards
- Progressions Décor Panel

# Beverage Table

## Molded Fiberglass (F)



Model	L	S	Approx. Ship Weight
28-BT	28 3/8"	N/A	205 lbs.
36-BT	36 3/8"	15"	220 lbs.
50-BT	50 3/8"	36"	260 lbs.
60-BT	60 3/8"	46"	300 lbs.
66-BT	66 3/8"	46"	320 lbs.
74-BT	74 3/8"	(2) 28"	340 lbs.
84-BT	84 3/8"	28" & 36"	360 lbs.
96-BT	96 3/8"	28" & 46"	380 lbs.
144-BT	144 3/8"	(2) 46"	750 lbs.

### Top

Top to be 30 wide and fabricated from a minimum of 14 gauge stainless steel with square turndown on all sides and corners fully welded, ground and polished. Top to have #4 satin finish and with all edges having a #7 hi-lite finish.

### Castors

5" diameter, ball bearing, swivel type castors to be non-marking and with brakes on all wheels. Castors to be mounted with exterior and interior bracing for maximum stress relief.

### Body (F)

Body to be seamless molded fiberglass (F.R.P.) with smooth exterior surfaces and rounded corners. To be constructed by a hand lay-up process with four layers of 1.5 oz continuous strand fiberglass mat, plus a 24 oz layer of woven roving on the bottom for added strength. Fiberglass to be flame retardant per specification ASTM E-162 having a flame spread of 25% or less. Body interior to be reinforced at each end with 4 wide, 12 gauge galvanized channels welded to form integral U frame for maximum stress relief.

### Drain Trough

14 ga. stainless steel drain trough welded into top and fitted with a removable stainless steel anti splash grid. Trough to slope to 1" open brass drain and extend to shut off valve located below base.

We reserve the right to change specifications and product design without notice. Such revisions do not entitle the buyer to corresponding changes, improvements, additions or replacement for previously purchased equipment.

All equipment to be built in accordance with the Underwriters Laboratories, Inc. and the National Sanitation Foundation, Inc. standards and shall bear the Underwriters Laboratories, Inc. listing label for safety and the Underwriters Laboratories classification label for sanitation.