

Tray Stand

Stainless Steel (S) or Laminate Panel (L)

COLORPOINT™



28-RTS-L

Project: _____

Item: _____

Quantity: _____

Date: _____

Models

- 28-RTS-L/S side station
- 36-RTS-L/S side station
- 28-RTE-L/S end station
- 36-RTE-L/S end station

Standard Features

- ✓ 30" wide 14 gauge stainless steel top
- ✓ 5" Casters

Top

- Height other than standard 36" (specify __)
- (TEW) Top Extensions (width _____)
- (TEL) Top Extensions (length _____)
- (FF) End Drop Shelf
- (LL) Silverware wells with inserts
- Napkin Pan

Cutting Board Options

- (D) 8" wide Stainless Steel cutting board
- (E) 8" wide Richlite® composite cutting board
- Other cutting board width (specify _____)

Base Options

- (AA) Cam Operated Line-up Locks
- (MM) Vertical Trim Strips
- (SS) Stainless Steel Legs
- Custom Body Color (specify RAL # _____)
- S/S Toe Kick
- Other _____

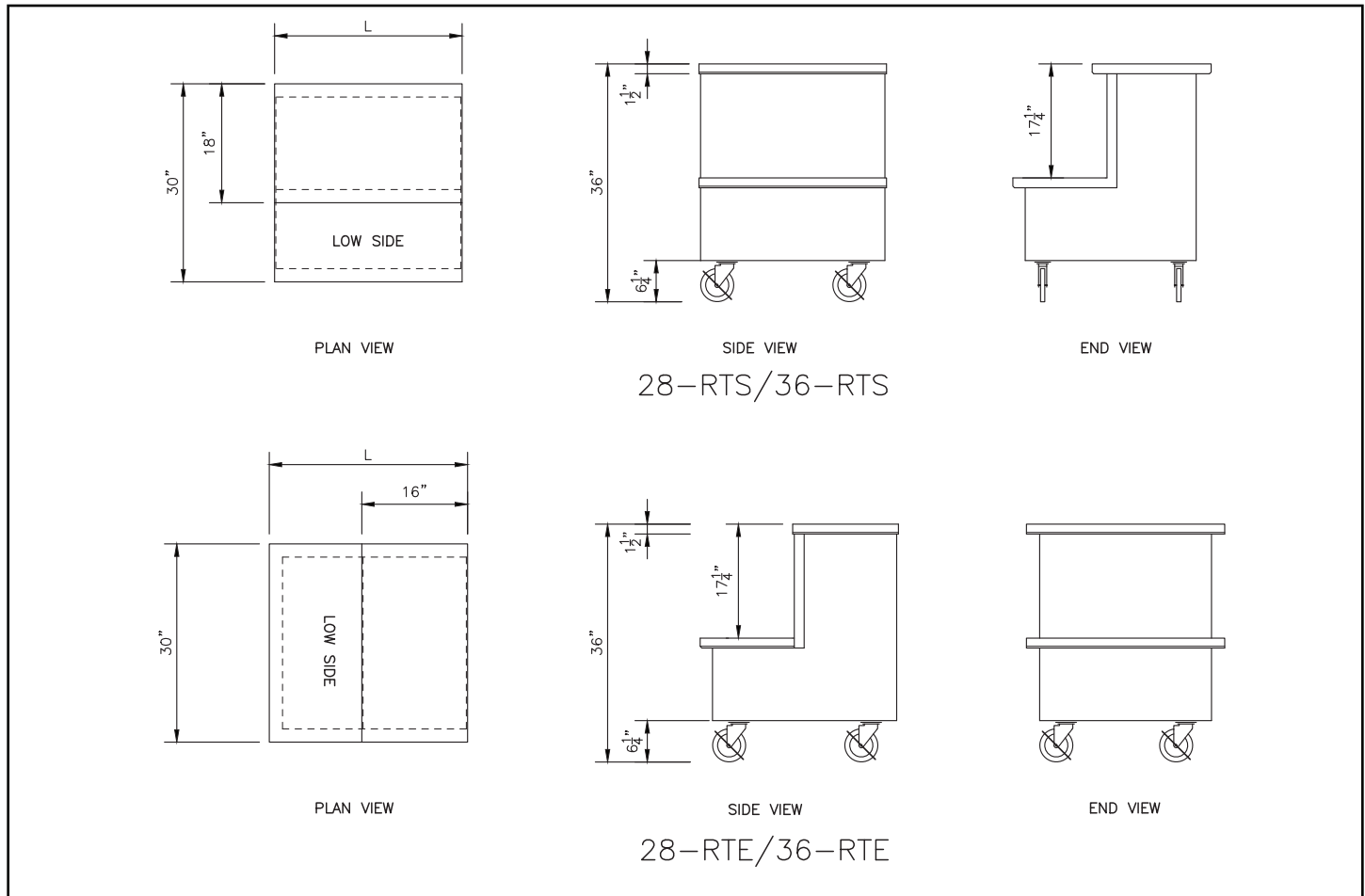
Other Options

- Vinyl Graphic Wrap
- Body Decal
- Over-structure with signage & lights (specify _____)
- Digital Menu Boards
- Progressions Décor Panel

- ▶ Add silverware and napkin wells to top for space-saving versatility.
- ▶ Easy to clean, low maintenance
- ▶ Labor saving mobility

Tray Stand

Stainless Steel (S) or Laminate Panel (L)



Model #	L	Approx. Ship Weight
28-RTS	28 3/8"	205 lbs.
36-RTS	36 3/8"	220 lbs.
28-RTE	28 3/8"	205 lbs.
36-RTE	36 3/8"	220 lbs.

Top

Top to be 30" wide and fabricated from a minimum of 14 ga. stainless steel with square turndown on all sides and corners fully welded, ground and polished. Top to have #4 satin finish and with all edges having a #7 hi-lite finish.

Body (L)

Body to be standard grade laminate plastic panels on all sides, over an 18 gauge steel uni-body structure with stainless steel vertical and horizontal trim.

Body (S)

Body to be a seamless 18-gauge stainless steel, welded, ground and polished exterior. Interior to be 20 gauge welded.

Casters

5" diameter, ball bearing, swivel type casters to be non-marking and with brakes on all wheels. Casters to be mounted thru two 12 gauge channels for extra rigidity.

We reserve the right to change specifications and product design without notice. Such revisions do not entitle the buyer to corresponding changes, improvements, additions or replacement for previously purchased equipment.

All equipment to be built in accordance with the Underwriters Laboratories, Inc. and the National Sanitation Foundation, Inc. standards and shall bear the Underwriters Laboratories, Inc. listing label for safety and the Underwriters Laboratories classification label for sanitation.