

# Sliding Top Milk Case Dispenser

Molded Fiberglass (F)



CPM-1310-F shown with option: (GG) lid locks

**Project:** \_\_\_\_\_

**Item:** \_\_\_\_\_

**Quantity:** \_\_\_\_\_

**Date:** \_\_\_\_\_

Models	Length
<input type="checkbox"/> CPM 1306-F	39 3/4"
<input type="checkbox"/> CPM 1310-F	57"
<input type="checkbox"/> CPM 1314-F	75 3/4"

**Standard Features**

- ✓ 14 gauge stainless steel tops
- ✓ Insulated stainless steel sliding doors
- ✓ Molded fiberglass body
- ✓ Self-leveling crate dispensers
- ✓ Dispensers adjustable without tools
- ✓ Welded stainless steel interior
- ✓ 5" swivel casters

**Optional Features (specify)**

- Height other than standard 36 (specify \_\_\_\_\_)
- (A) Beaded, stainless steel tray slide
- (B) Flat Surface, stainless steel tray slide
- (C) Tubular Solid Surface, stainless steel tray slide
- (CTS) Corian® Tray Slide (specify \_\_\_\_\_)
- (QTS) Stone Tray Slide (specify \_\_\_\_\_)
- Powder Coated brackets (specify RAL # \_\_\_\_\_)
- (D) 8" wide Stainless Steel cutting board
- (E) 8" wide Richlite® composite cutting board
- Other cutting board width (specify \_\_\_\_\_)
- (AA) Cam Operated Line-up Locks
- (DD) Convenience outlet, flush
- (EE) Convenience outlet, pedestal
- (FF) End Drop Shelf

- (GG) Lid Locks
- (MM) Vertical Trim Strips
- (SS) Stainless Steel Legs
- (TT) Wrap-around bumper
- (DC) Daisy chain
- (LC) Load center
- Powder Coat Louvers (specify RAL # \_\_\_\_\_)
- S/S Toe Kick
- Custom Body Color (specify RAL # \_\_\_\_\_)

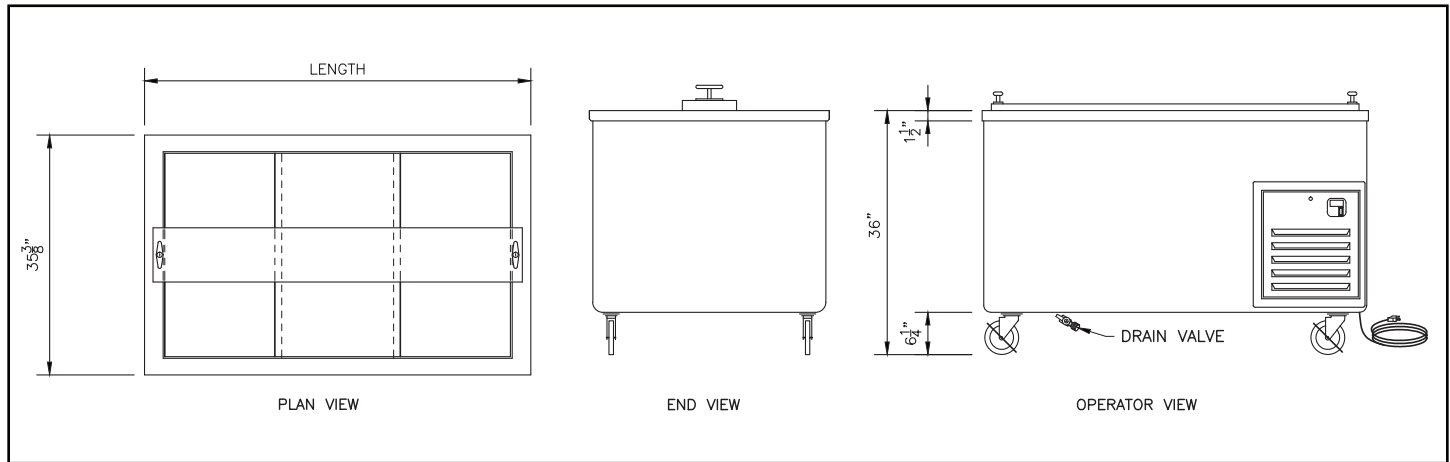
**Optional Features (specify)**

- Vinyl Graphic Wrap
- Body Decal
- Canopy (specify style & color)
- Over-structure with signage & lights (specify \_\_\_\_\_)
- Digital Menu Boards
- Progressions Décor Panel

- ▶ Holds crates, no re-loading necessary
- ▶ Durable and easy to clean
- ▶ Easy mobility
- ▶ Crates maintained at easy-to-reach height

# Sliding Top Milk Case Dispenser

Molded Fiberglass (F)



Model	Length	Dairy Cases	Capacity - using 1/2 pt cartons @ 48/case	Comp.	120V/1 phase		Ship Weight
					Amps	Plug	
CPM 1306	39 3/4"	6	288	1/3 H.P.	7.1	5-15P	375 lbs.
CPM 1310	57"	10	480	1/3 H.P.	7.1	5-15P	515 lbs.
CPM 1314	75 3/4"	14	672	1/3 H.P.	7.1	5-15P	595 lbs.

## Body (F)

Body to be seamless molded fiberglass (F.R.P.) with smooth exterior surfaces and rounded corners. To be constructed by a hand lay-up process with four layers of 1.5 oz continuous strand fiberglass mat, plus a 24 oz layer of woven roving on the bottom for added strength. Fiberglass to be flame retardant per specification ASTM E-162 having a flame spread of 25% or less. Body interior to be reinforced at each end with 4 wide, 12 gauge galvanized channels welded to form integral U frame for maximum stress relief. Refrigerated interior to be a welded steel cabinet with a water tight liner, fully insulated and with a brass drain extended below the body to a shut off valve.

## Top and Lids

Top to be 14 ga. stainless steel with square turndown on all sides and corners fully welded, ground and polished. To have #4 satin finish and all edges to have #7

hi-lite finish. Interior top to turn down into opening and complete with integral ledges to support sliding lids. Lids shall be 18 ga. stainless steel double pan construction complete with stainless steel hand pulls. Cabinet and lids are full insulated with urethane insulation.

## Self-leveling System

Each milk crate to be held at proper height by two stainless steel self-leveling mechanisms, field adjustable without tools, and a removable stainless steel carrier. (Area above compressor will not be self-leveling.)

## Refrigeration System

A temperature of 38 degrees F shall be maintained by a cold wall evaporator system, with an accessible expansion valve. The condensing unit shall be a fully hermetic system using R-134A refrigerant, with all necessary controls.

We reserve the right to change specifications and product design without notice. Such revisions do not entitle the buyer to corresponding changes, improvements, additions or replacement for previously purchased equipment.

All equipment to be built in accordance with the Underwriters Laboratories, Inc. and the National Sanitation Foundation, Inc. standards and shall bear the Underwriters Laboratories, Inc. listing label for safety and the Underwriters Laboratories classification label for sanitation.